

Service  
Service  
**Service**



# Service Manual



TABLE OF CONTENTS

Service Aids .....1-1  
 Info. about lead-free soldering.....1-1  
 Service Instruction .....1-1

CD Playability Check .....2-1..2-3  
 Disassembly digram .....3-1..3-5

Software version check and upgrading .....4-1

Block diagram.....5-1

Wiring diagram .....6-1

Tuner Board  
 circuit diagram .....7-1  
 layout diagram .....7-2

VFD Board  
 circuit diagram .....8-1  
 layout diagram .....8-2

CPU Board  
 circuit diagram .....9-1  
 layout diagram .....9-2...9-3

AMP Board  
 circuit diagram .....10-1  
 layout diagram .....10-2..10-3

Exploded view diagram .....11-1

Service partslist .....12-1..12-2

Commercial partslist

© Copyright 2007 Philips Consumer Electronics B.V. Eindhoven, The Netherlands  
 All rights reserved. No part of this publication may be reproduced, stored in a retrieval system or transmitted, in any form or by any means, electronic, mechanical, photocopying, or otherwise without the prior permission of Philips.



## SERVICE AIDS

### Service Tools:

Universal Torx driver holder .....	4822 395 91019
Torx bit T10 150mm .....	4822 395 50456
Torx driver set T6-T20 .....	4822 395 50145
Torx driver T10 extended .....	4822 395 50423

### Compact Disc:

SBC426/426A Test disc 5 + 5A .....	4822 397 30096
SBC442 Audio Burn-in test disc 1kHz .....	4822 397 30155
SBC429 Audio Signals disc .....	4822 397 30184
Dolby Pro-logic Test Disc .....	4822 395 10216

### **GB** WARNING


All ICs and many other semi-conductors are susceptible to electrostatic discharges (ESD). Careless handling during repair can reduce life drastically.  
When repairing, make sure that you are connected with the same potential as the mass of the set via a wrist wrap with resistance. Keep components and tools also at this potential.

### ESD



### **GB**

Safety regulations require that the set be restored to its original condition and that parts which are identical with those specified, be used

Safety components are marked by the symbol .

**CLASS 1  
LASER PRODUCT**

## INFORMATION ABOUT LEAD-FREE SOLDERING

Philips CE is producing lead-free sets from 1.1.2005 onwards.

### IDENTIFICATION:

Regardless of special logo (not always indicated) one must treat all sets from 1 Jan 2005 onwards, according next rules:



- On our website [www.atyourservice.ce.Philips.com](http://www.atyourservice.ce.Philips.com) you find more information to:
  - \* BGA-de-/soldering (+ baking instructions)
  - \* Heating-profiles of BGAs and other ICs used in Philips-sets
  - \* Lead free

You will find this and more technical information within the "magazine", chapter "workshop news".

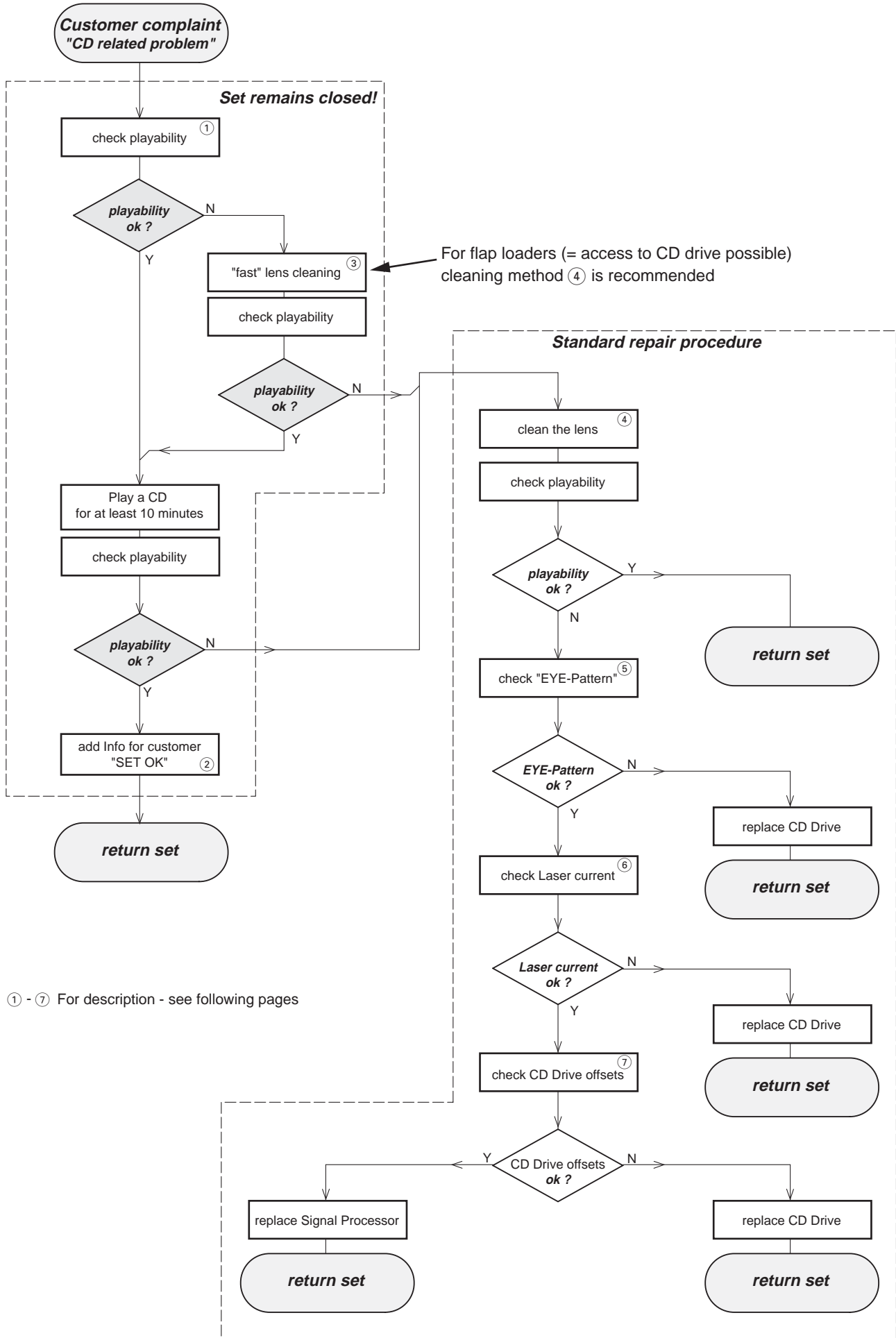
For additional questions please contact your local repair-helpdesk.

## SERVICE INSTRUCTION

Safety regulations require that after a repair, the set must be returned in its original condition. Pay in particular attention to the following points:

- Route the wire trees correctly and fix them with the mounted cable clamps.
- Check the insulation of the AC Power lead for external damage.
- Check the strain relief of the AC Power cord for proper function.
- Check the electrical DC resistance between the AC Power Plug and the secondary side (only for sets which have a AC Power isolated power supply):
  1. Unplug the AC Power cord and connect a wire between the two pins of the AC Power plug.
  2. Set the AC Power switch to the "on" position (keep the AC Power cord unplugged!).
  3. Measure the resistance value between the pins of the AC Power plug and the metal shielding of the tuner or the aerial connection on the set. The reading should be larger than 4.5 Mohm (For U.S. it should be between 4.2 Mohm and 12 Mohm).
  4. Switch "off" the set, and remove the wire between the two pins of the AC Power plug.
- Check the cabinet for defects, to avoid touching of any inner parts by the customer.

# CD PLAYABILITY CHECK



## CD PLAYABILITY CHECK

①

### PLAYABILITY CHECK

For sets which are compatible with **CD-RW** discs  
 use CD-RW Printed Audio Disc.....7104 099 96611  
 TR 3 (Fingerprint)  
 TR 8 (600µ Black dot) **maximum at 01:00**

- playback of these two tracks without audible disturbance  
 playing time for: Fingerprint  $\geq 10$ seconds  
 Black dot from 00:50 to 01:10
- jump forward/backward (search) within a reasonable time

For all other sets  
 use CD-DA SBC 444A.....4822 397 30245  
 TR 14 (600µ Black dot) **maximum at 01:15**  
 TR 19 (Fingerprint)  
 TR 10 (1000µ wedge)

- playback of all these tracks without audible disturbance  
 playing time for: 1000µ wedge  $\geq 10$ seconds  
 Fingerprint  $\geq 10$ seconds  
 Black dot from 01:05 to 01:25
- jump forward/backward (search) within a reasonable time

②

### CUSTOMER INFORMATION

It is proposed to add an addendum sheet to the set which informs the customer that the set has been checked carefully - but no fault was found.  
 The problem was obviously caused by a scratched, dirty or copy-protected CD. In case problems remain, the customer is requested to contact the workshop directly.  
 The lens cleaning (method ③) should be mentioned in the addendum sheet.

The final wording in national language as well as the printing is under responsibility of the Regional Service Organizations.

③

### FAST LENS CLEANING (dry brush)

Use lens cleaning CD  
 SBC AC300.....9082 100 00043

Insert the lens cleaning CD, press PLAY and follow the voice guide's instructions on the CD.

④

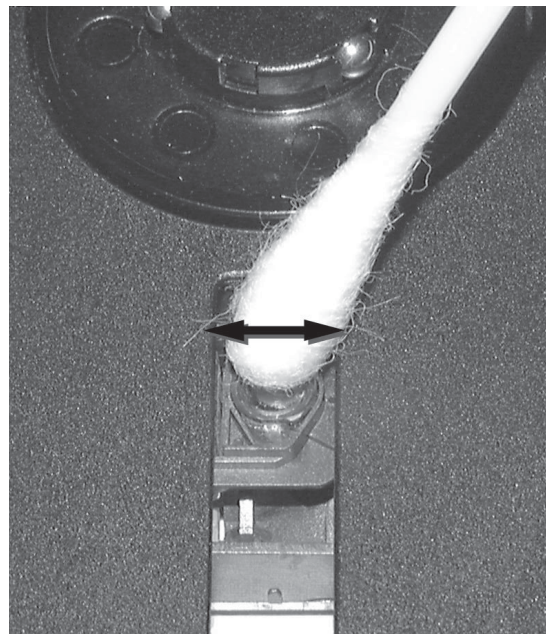
### LIQUID LENS CLEANING

**Before touching the lens it is advised to clean the surface of the lens by blowing clean air over it. This to avoid that little particles make scratches on the lens.**

Because the material of the lens is synthetic and coated with a special anti-reflectivity layer, cleaning must be done with a non-aggressive cleaning fluid. It is advised to use "Cleaning Solvent B4-No2", available with codenumber 4822 389 10026.

The actuator is a very precise mechanical component and may not be damaged in order to guarantee its full function. Clean the lens gently (don't press too hard) with a soft and clean cotton bud moistened with the special lens cleaner.

The direction of cleaning must be in the way as indicated in the picture below.

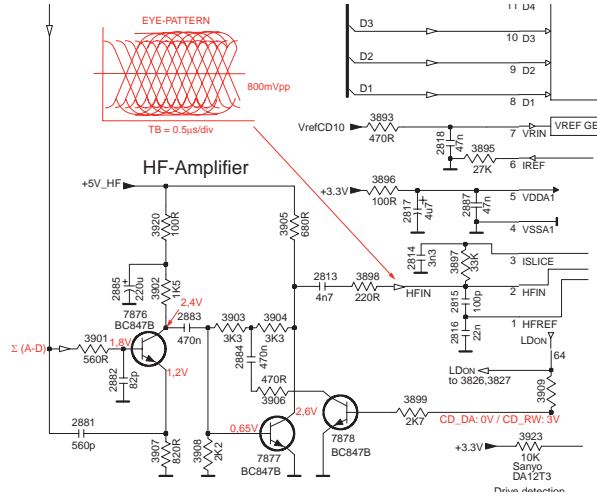


# CD PLAYABILITY CHECK

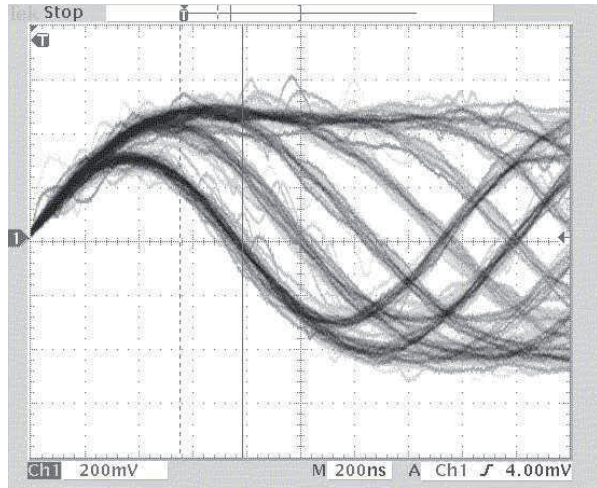
5

## EYE-PATTERN SIGNAL – JITTER MEASUREMENT

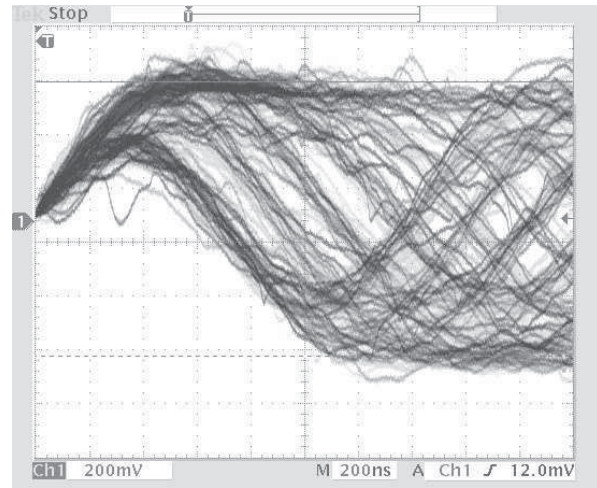
Measure the signal on the input of the Signal processor using an **analog** oscilloscope. Please find the exact measuring point in your Service Manual.



See below examples of the signal. Amplitude should read at least 700mVpp using SBC444A.



good



bad

If the oscilloscope shows a signal like the 'bad' one, and/or the amplitude decreases within 1 minute - the CD drive has to be replaced.

6

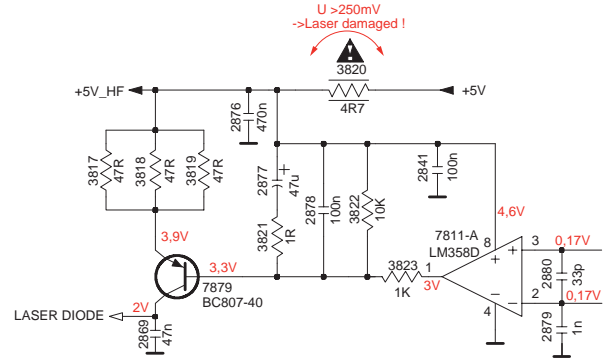
## CD DRIVE – LASER CURRENT MEASUREMENT

The laser current can be measured as a voltage drop on a resistor. The resistor is marked in every Service Manual. The value depends on the type of CD drive.

	typical value	most probably defect
VAMxxxx	: 150-230mV	≥350mV
MCDxx	: 170-230mV	≥300mV
DA1x	: 210-250mV	≥350mV
DA2x	: 175-200mV	≥250mV

Use SBC444A (CD-DA) for measurement.

### Laser power control



7

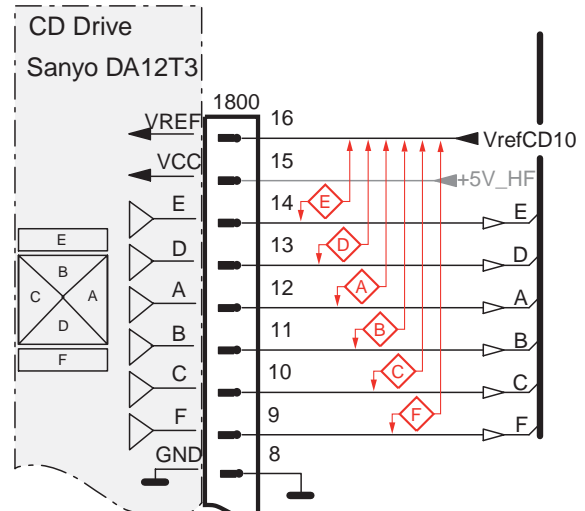
## CD DRIVE – OFFSET MEASUREMENT

The photodiodes of the CD-drive may have an offset. These offsets have to be compensated by the signal processor. High offsets can lead to poor playability of some CDs (skipping tracks).

To measure the offset values, start the **Service Test Program** - section "Focus Test" without a CD.

The offsets can be measured with a DC Millivoltmeter directly on the connector (see drawing below). Pin numbering varies from drive to drive.

The values from diode A-D should read  $0 \pm 10mV$ . Diodes E and F are less critical.

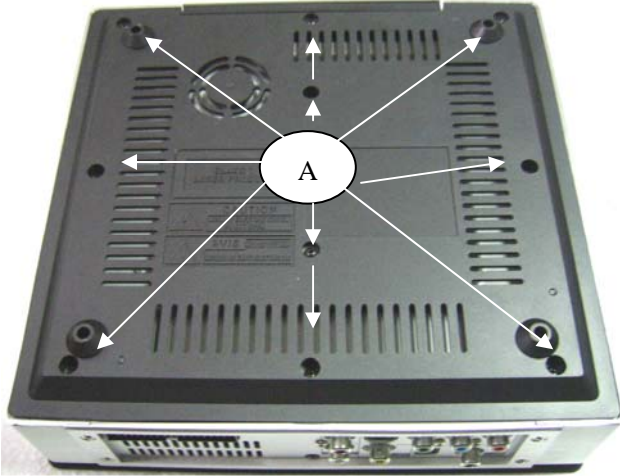


If one of the offsets is higher than  $\pm 10mV$  the CD drive has to be replaced. Otherwise replace the Signal Processor.

### MCD755 Disassembly-DVD layer

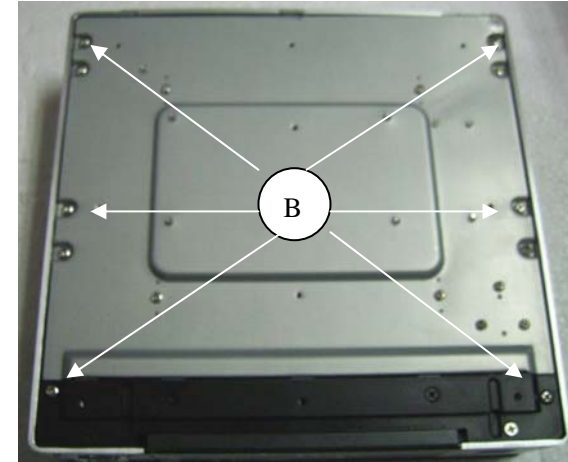
A. Remove bottom cover

A1. Loosen screws 2.5×7PWMTT(3PCS), 2.6×5PWMTT(7PCS)



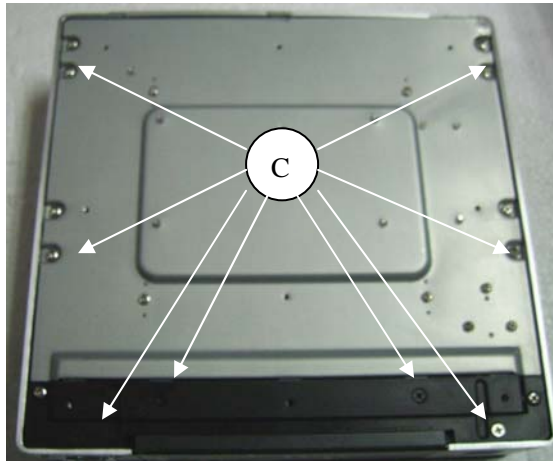
B. Remove top cover and loosen screws 3×10PTH(4PCS), 3×8FT(2PCS)

B1. Loosen screws 3×10FA (1PCS)

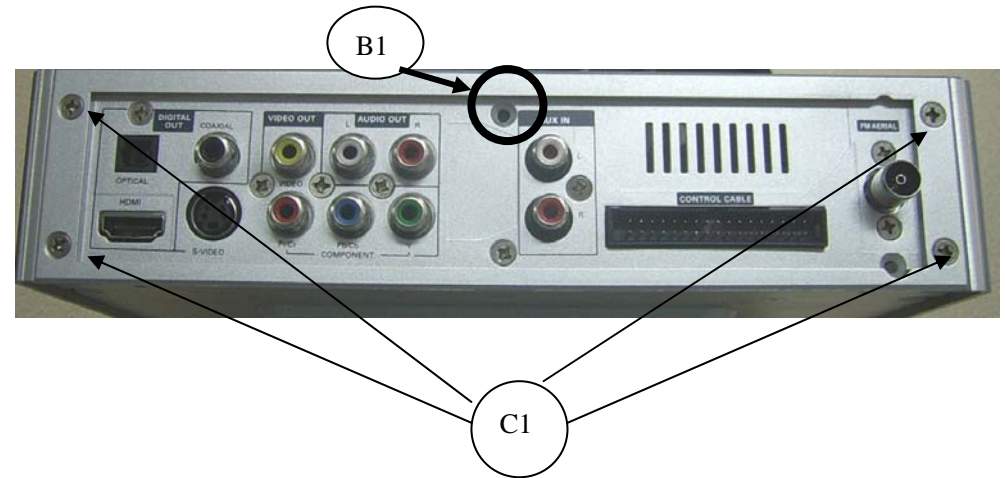


C. Remove side plate and loosen screws 3×6BTH(4PCS), 3×6FMTT(2PCS)

Remove bezel panel and loosen screws 3×5FMTT(2PCS)

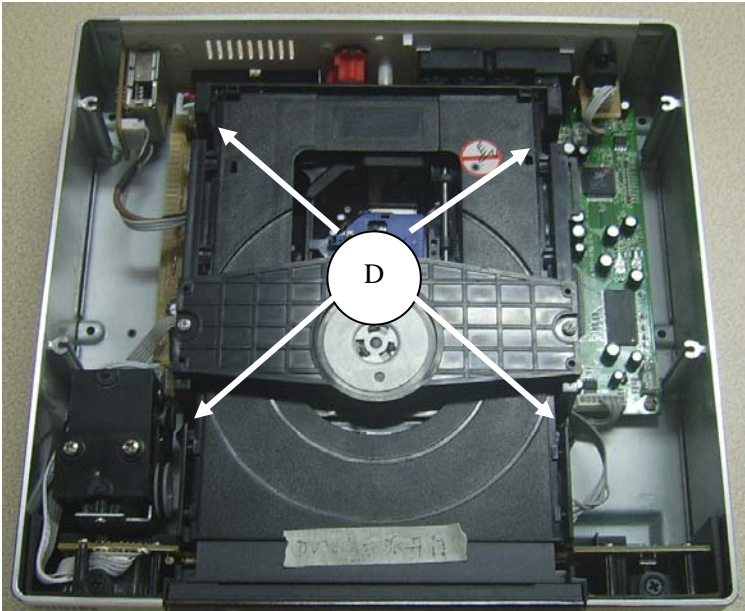


C1. Loosen screws where is the back of side plank 3×4FMTT(4PCS)

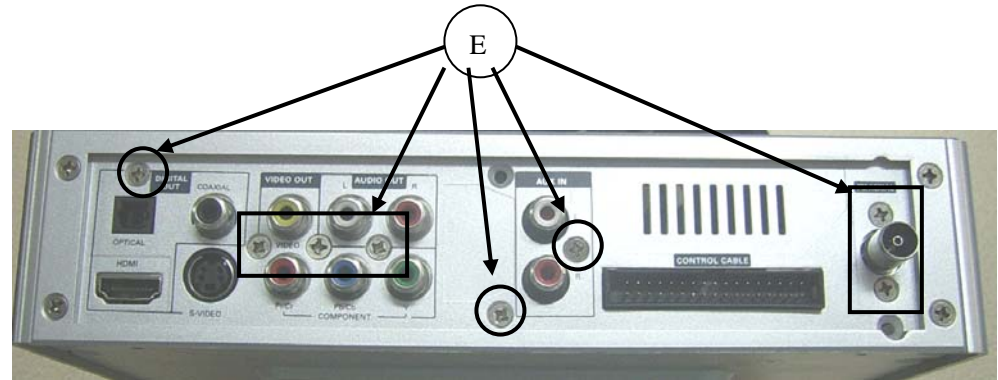


## Disassembly diagram

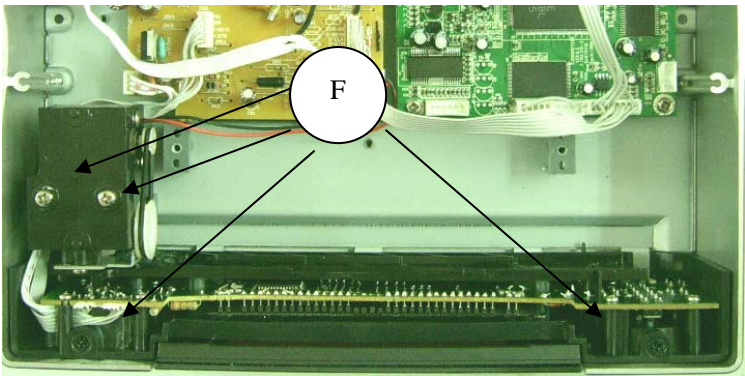
D. Loosen screws 3×10PWA(2PCS), 3×8PWMTT(2PCS) and then remove mechanism core



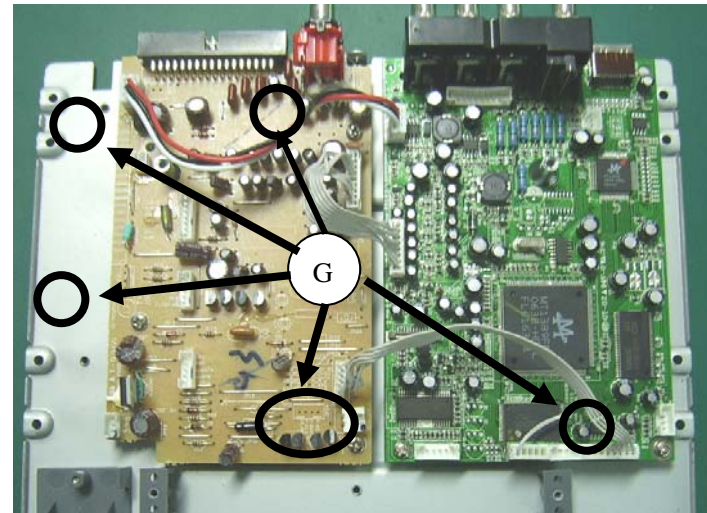
E. Loosen screws 3×10FA(7PCS), 3×6FM(1PC), and remove rear plate



F. Remove motor and loosen screws where is the front of side plate 3×6FT(2PCS), 3×10BT (2PCS)

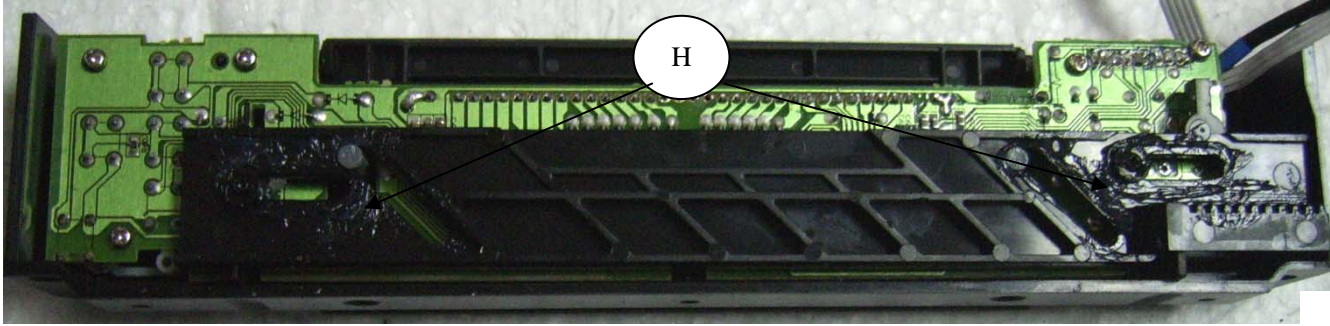


G. Loosen screws 3×6PM(6PCS), remove CPU card and decode card



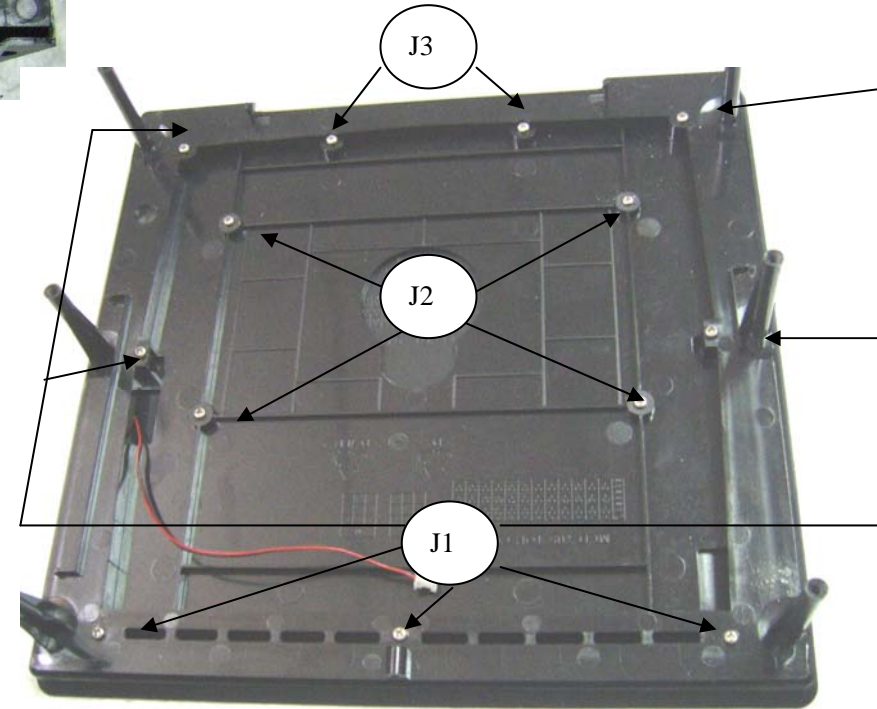
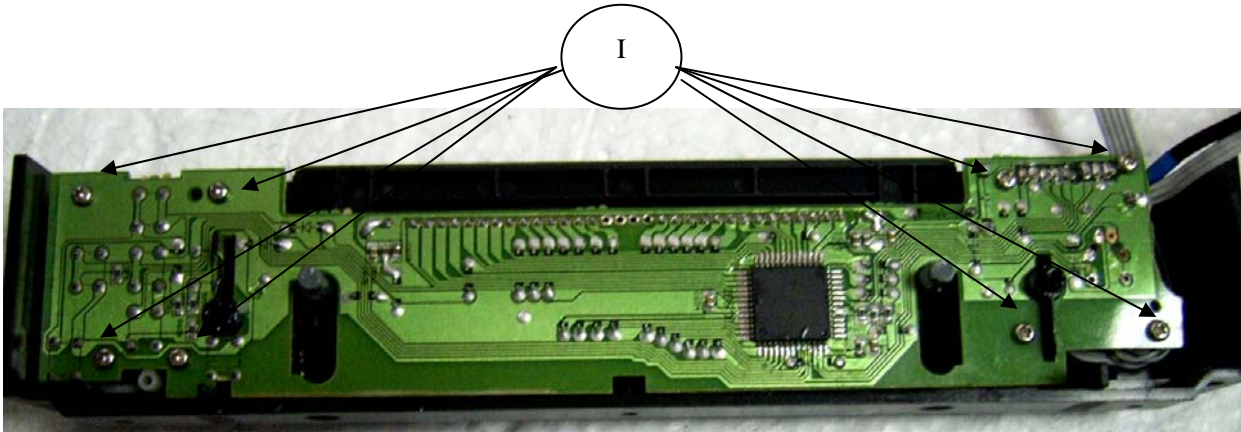
# Disassembly diagram

H. Loosen screws 2×6PWT(2PCS), remove slide plate



J. Loosen screws J1 2.6×8PT(7PCS)  
J2 2.6×5PT(4PCS)  
J3 2.6×6PT(2PCS), and remove top cover

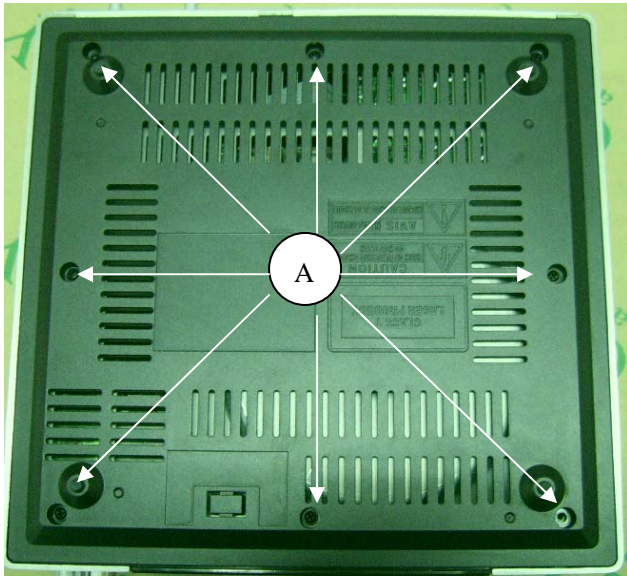
I. Loosen screws 2.6×8PT(8PCS), and remove VFD board



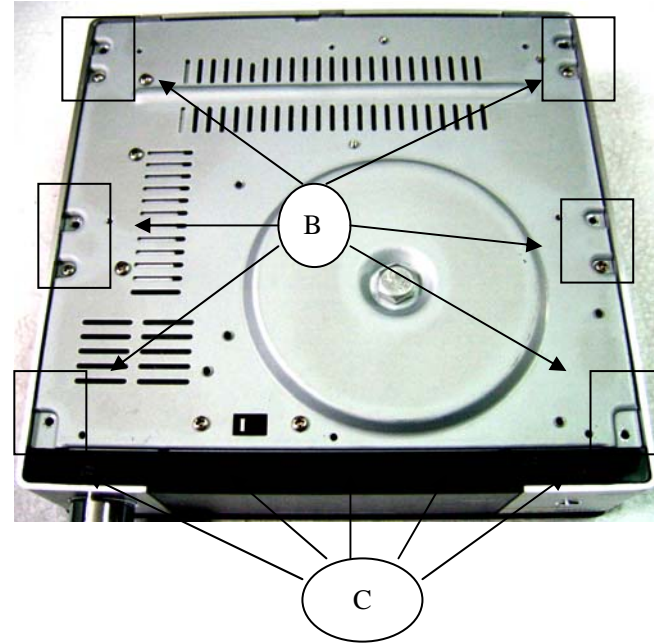


### MCD755 Disassembly-AMP layer

A. Loosen screws 2.6×5PWT(8PCS), remove plastic bottom cover

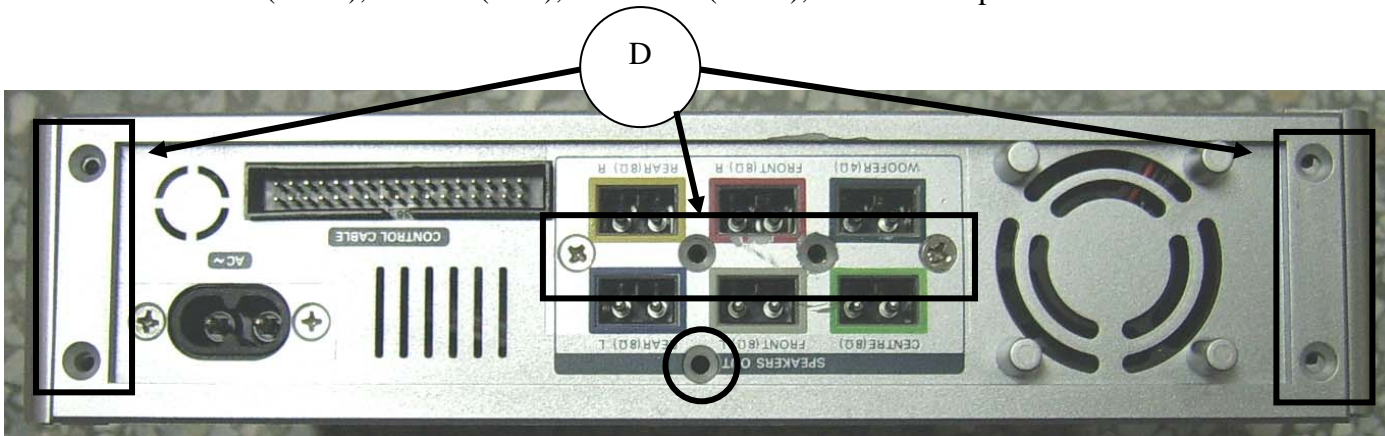


B. Loosen screws 3×10PTH(6PCS) 3×6BTH(4PCS), remove side plank and top cover



C. Loosen screws 3×6FMTT(5PCS), remove bezel plank

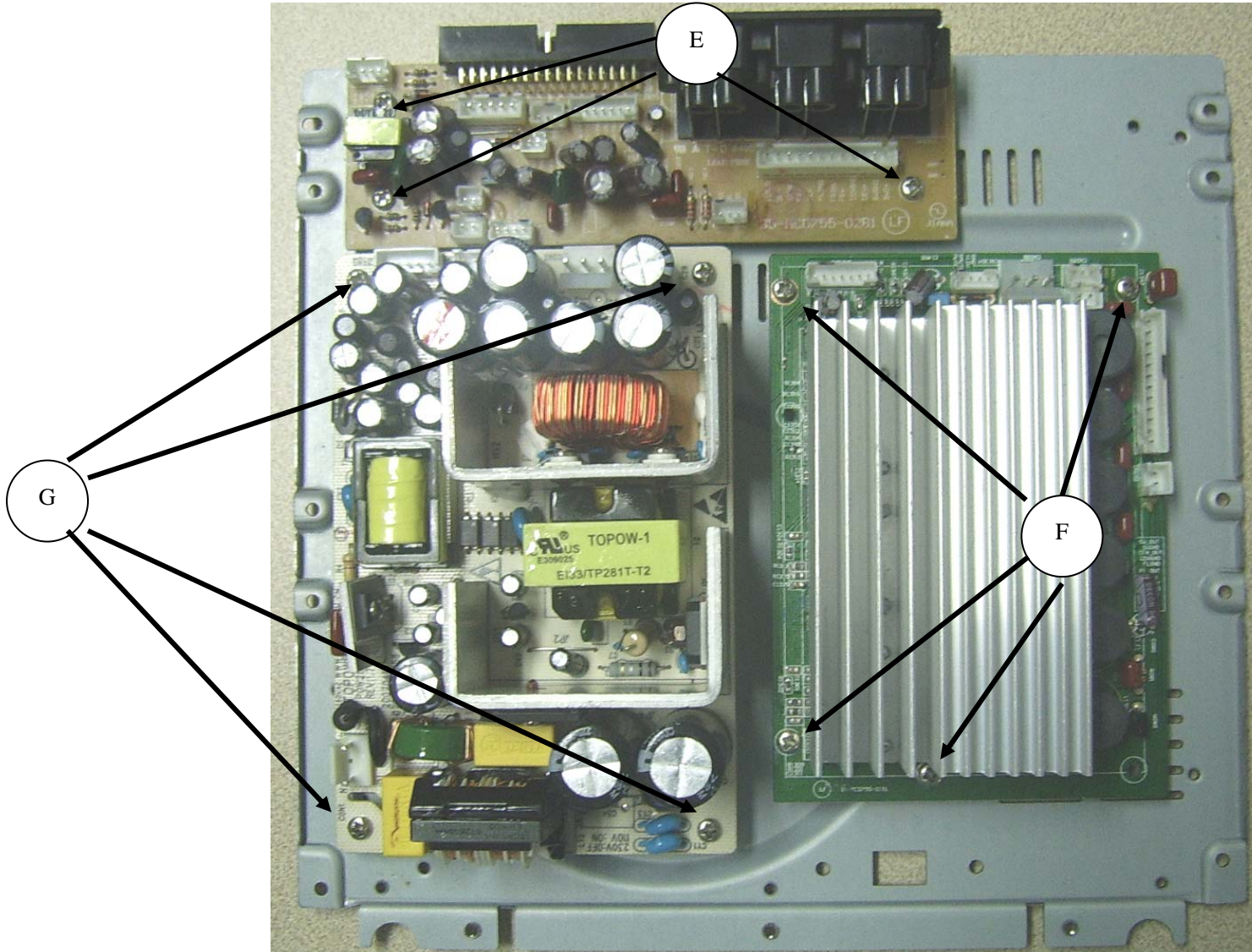
D. Loosen screws 3×12FA(4PCS), 3×10FT(1PC), 3×5FMTT(4PCS), remove rear plank



Disassembly diagram

E. Loosen screws 3×5BM(3PCS), remove connection card

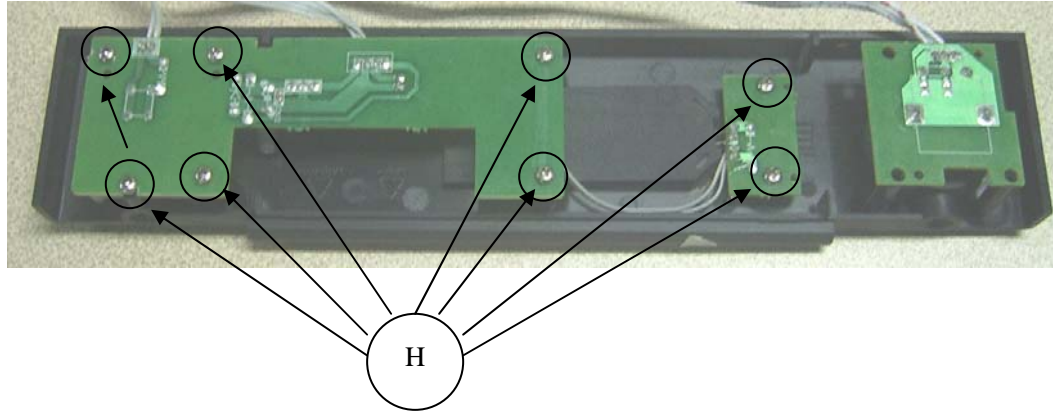
F. Loosen screws 3×5BM(4PCS), remove AMP board



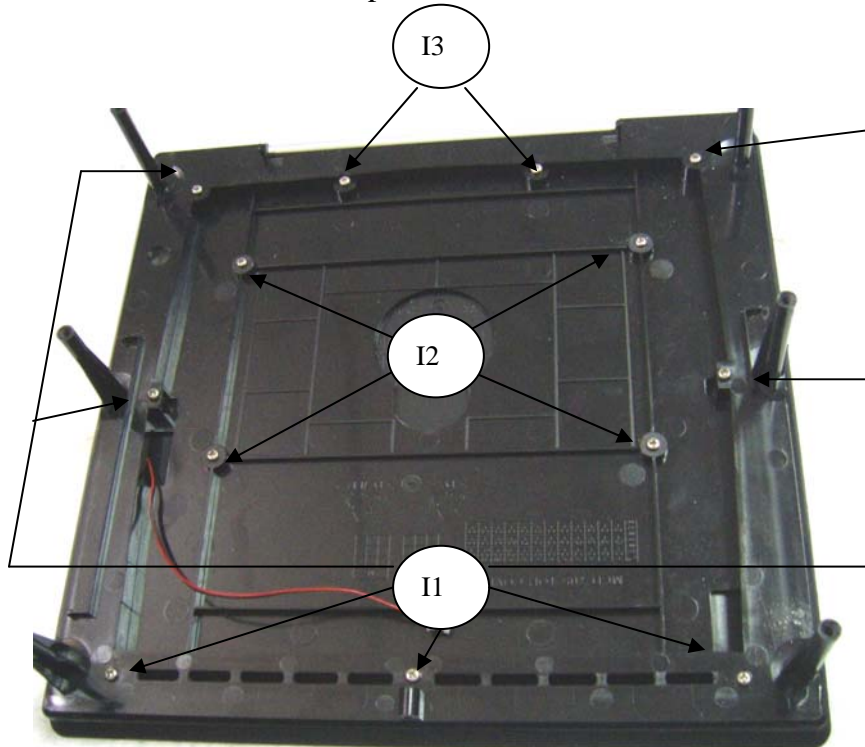
G. Loosen screws 3×5BM(4PCS), remove power board

## Disassembly diagram

H. Loosen screws 2.6×8PT(6PCS), 2.6×5PT(2PCS), remove bezel panel



I. Loosen screws and remove top cover

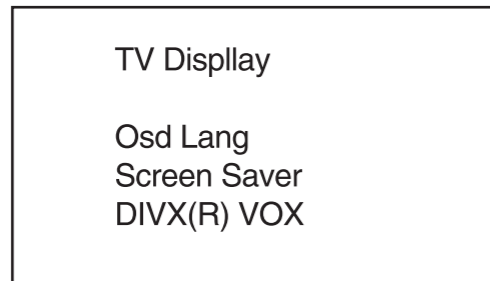


- I1. 2.6×8PT (7PCS)**
- I2. 2.6 × 5PT ( 4PCS )**
- I3. 2.6×6PT ( 2PCS )**

**SOFTWARE VERSION CHECK AND UPGRADING****A.MPEG SOFTWARE VERSION CHECK**

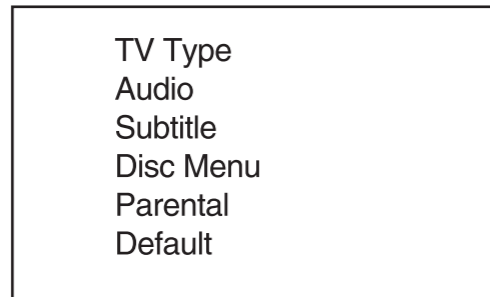
1.Press SYSTEM key (on the remote control) to open setup page,

TV Screen shows:



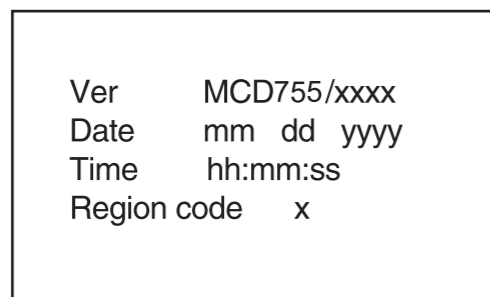
2.Press REMOVAL key (on the remote control) to the original setup page,

TV Screen shows:



3.Enter the password "811502" (on the remote control)

TV Screen shows:

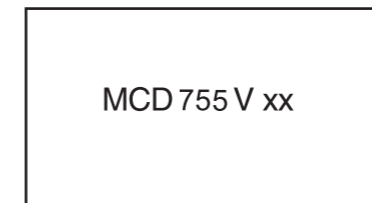


4.Press ▲ or ▼ button (on the remote control) to change region.  
Press OK to confirm.

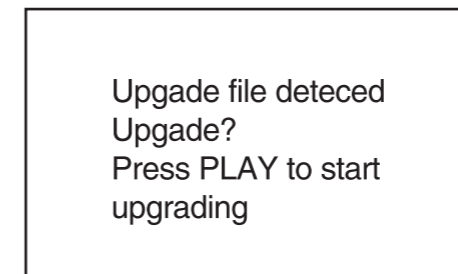
**B.CPU VERSION CHECK**

Keep PLAY/PAUSE and STOP buttons (on the set) depressed while pressing POWER on.

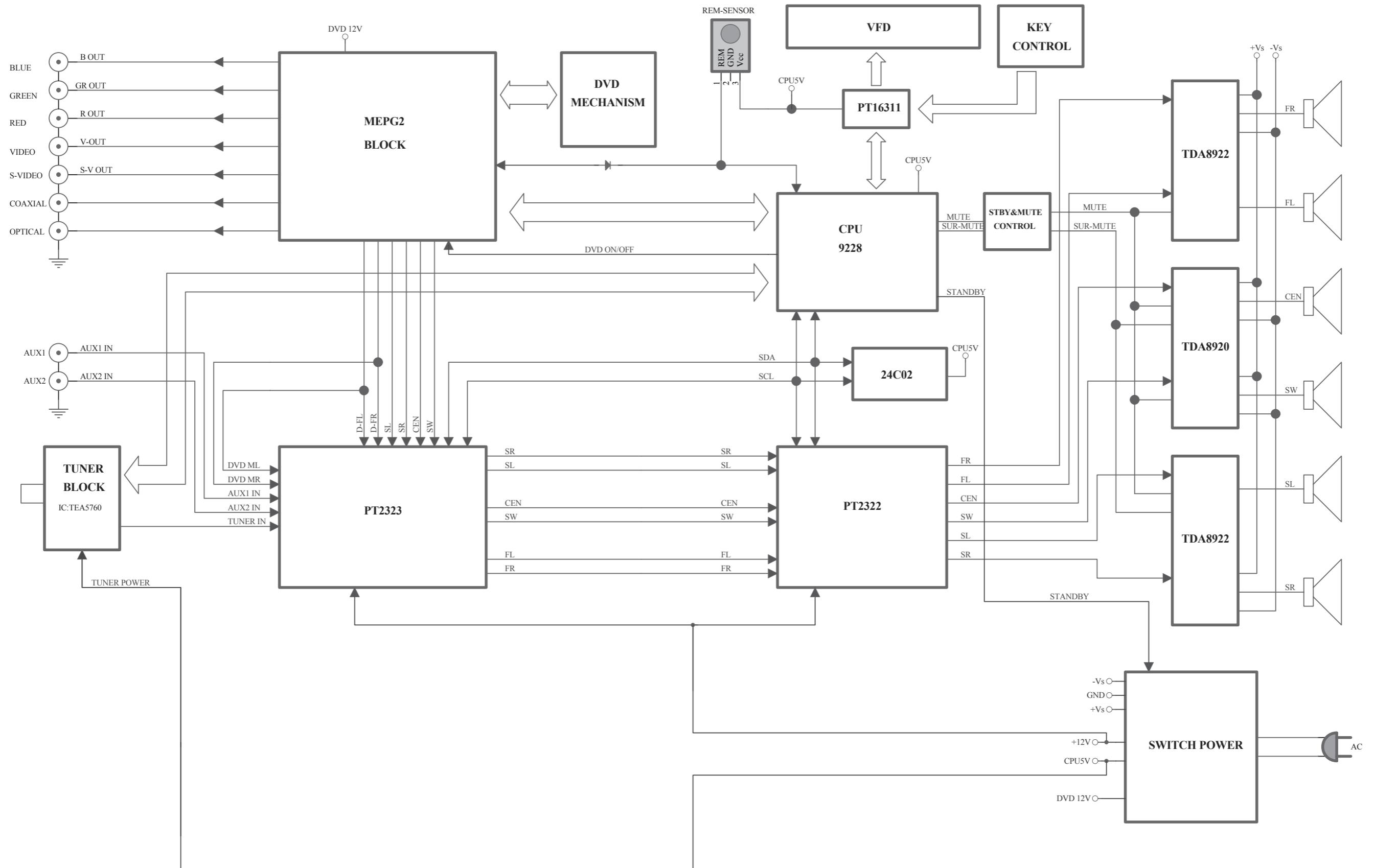
TV screen shows

**C. MPEG SOFTWARE UPGRADING**

1. download the firmware from Philips support website  
<http://www.philips.com/support>
2. Prepare a uploading CD
3. Put the CD in the CD tray
4. TV Screen shows

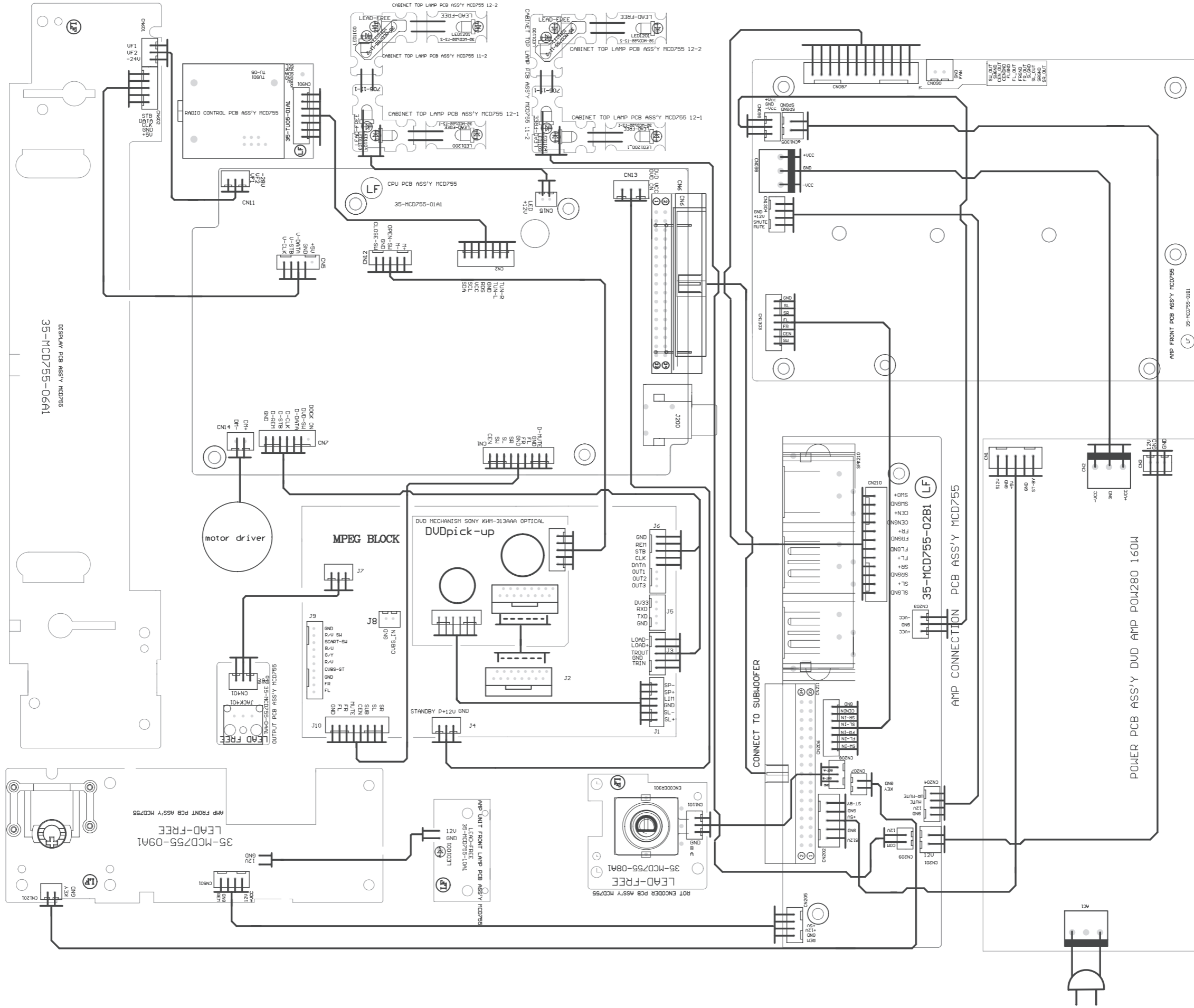


# SET BLOCK DIAGRAM



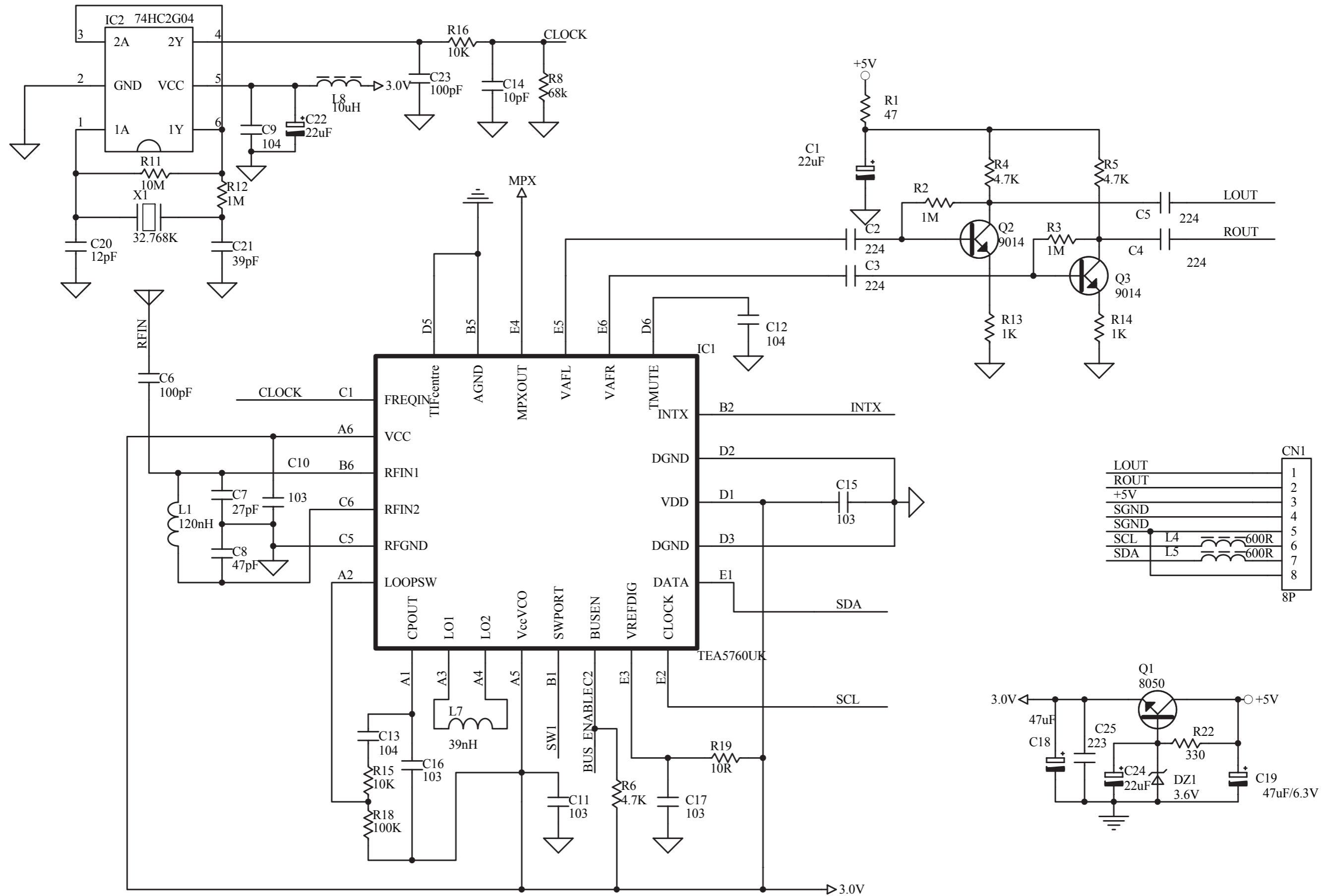
# SET WIRING DIAGRAM

6-1

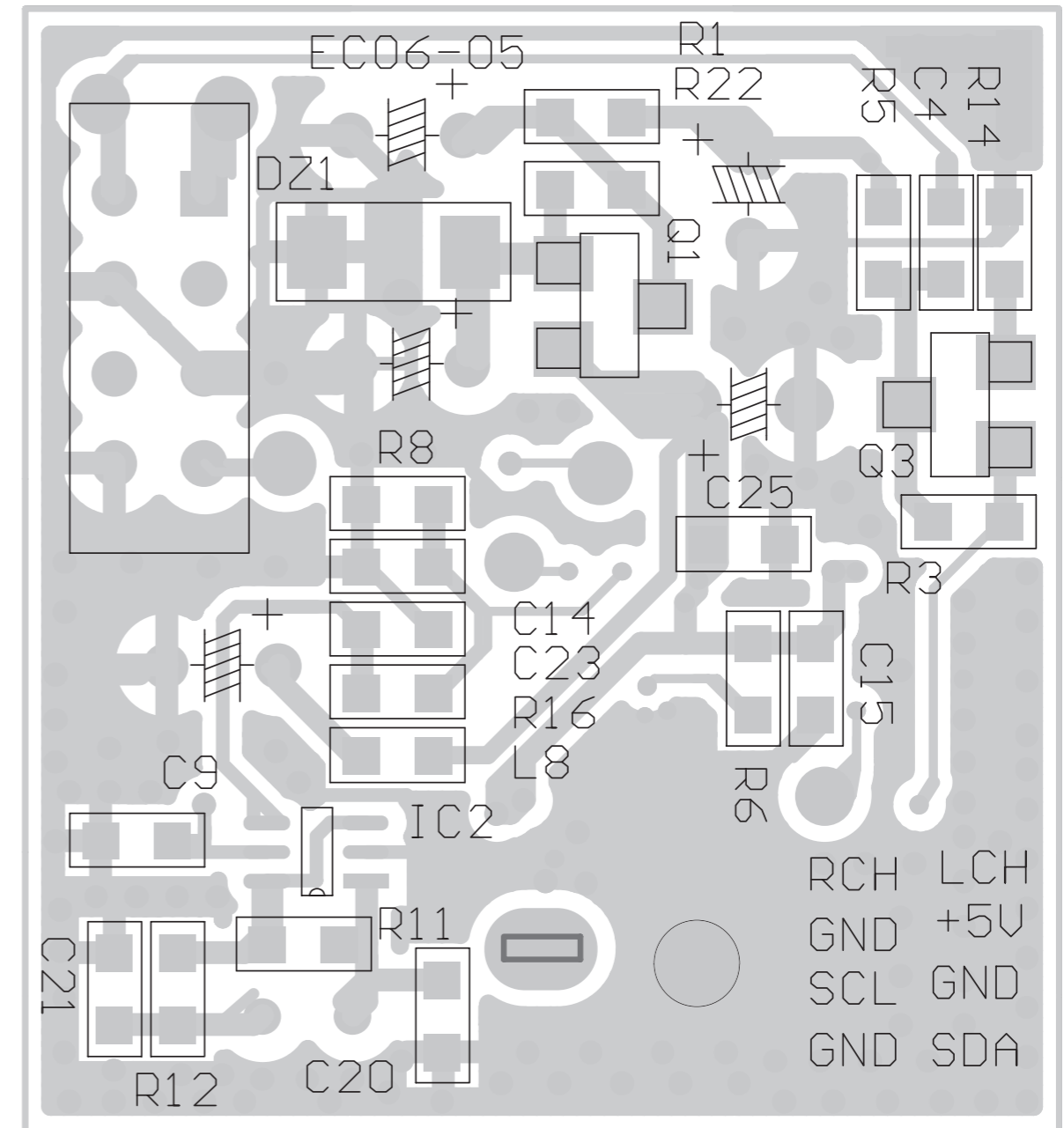
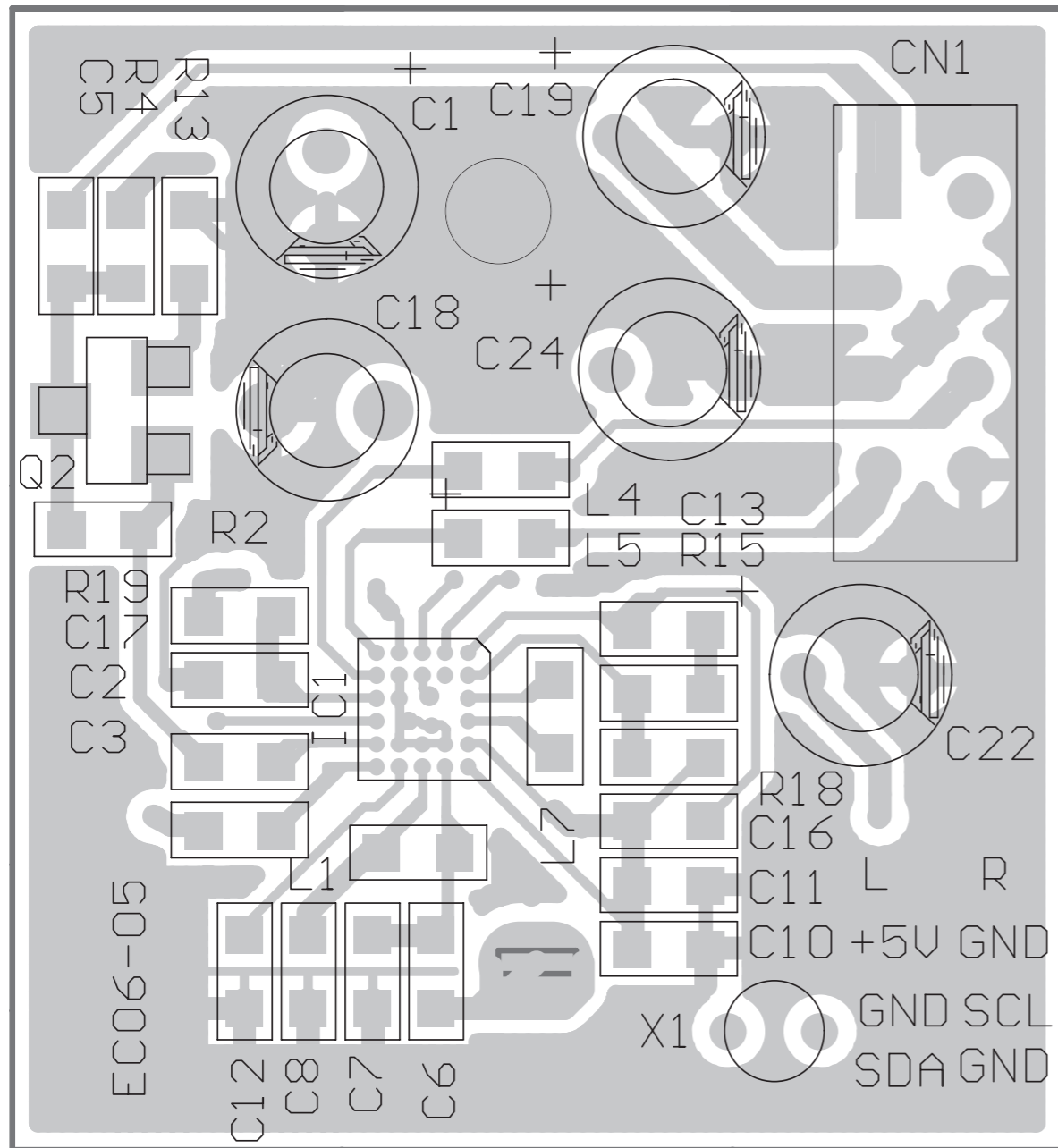


6-1

### CIRCUIT DIAGRAM - TUNER BOARD

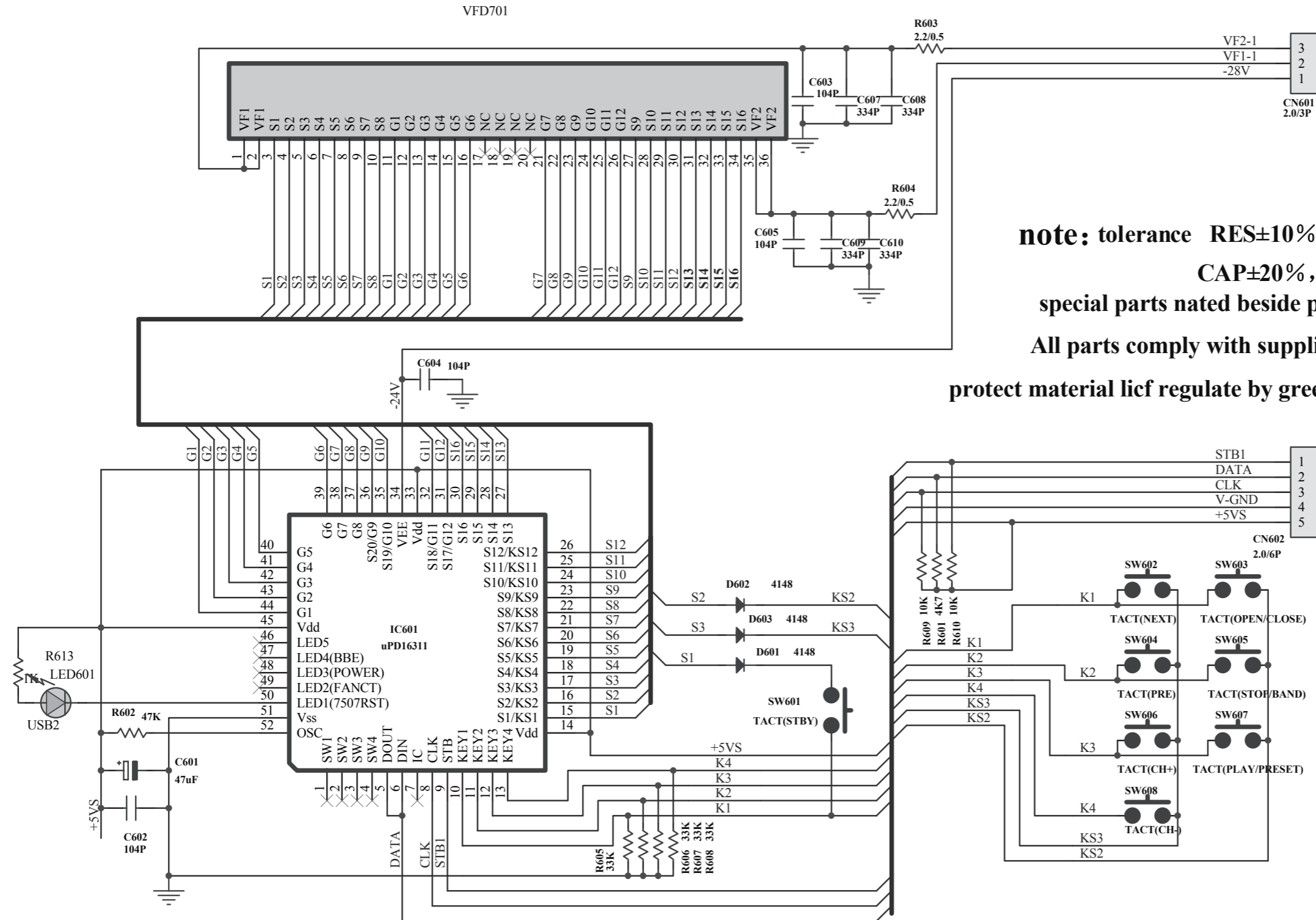


LAYOUT DIAGRAM - TUNER BOARD





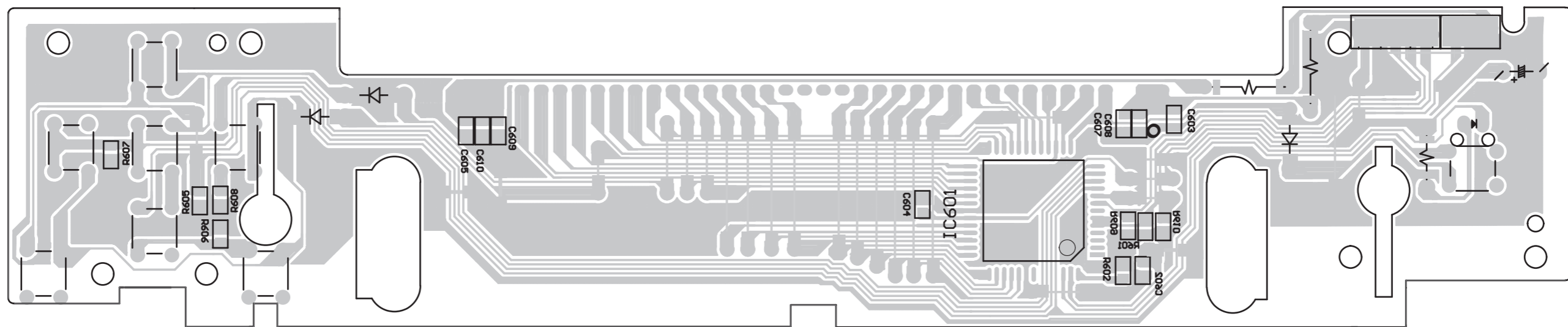
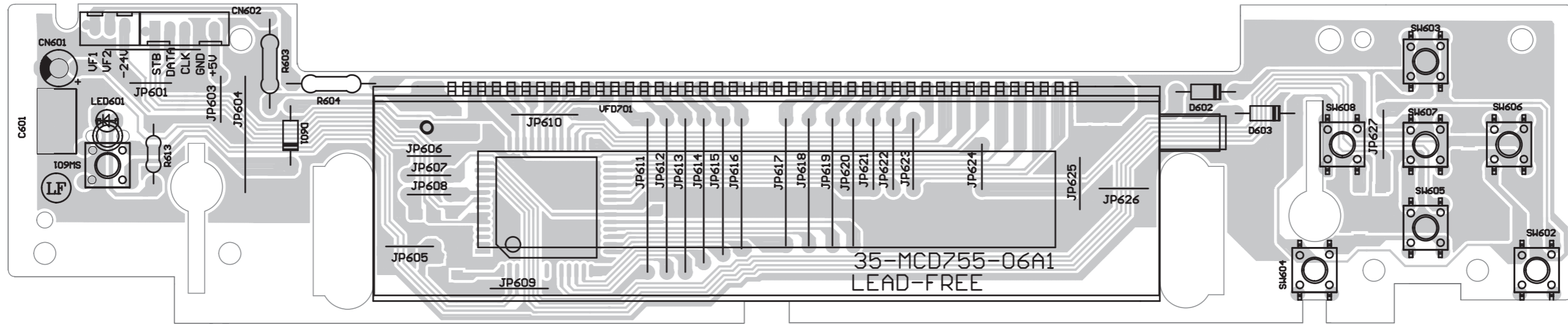
# CIRCUIT DIAGRAM - VFD BOARD



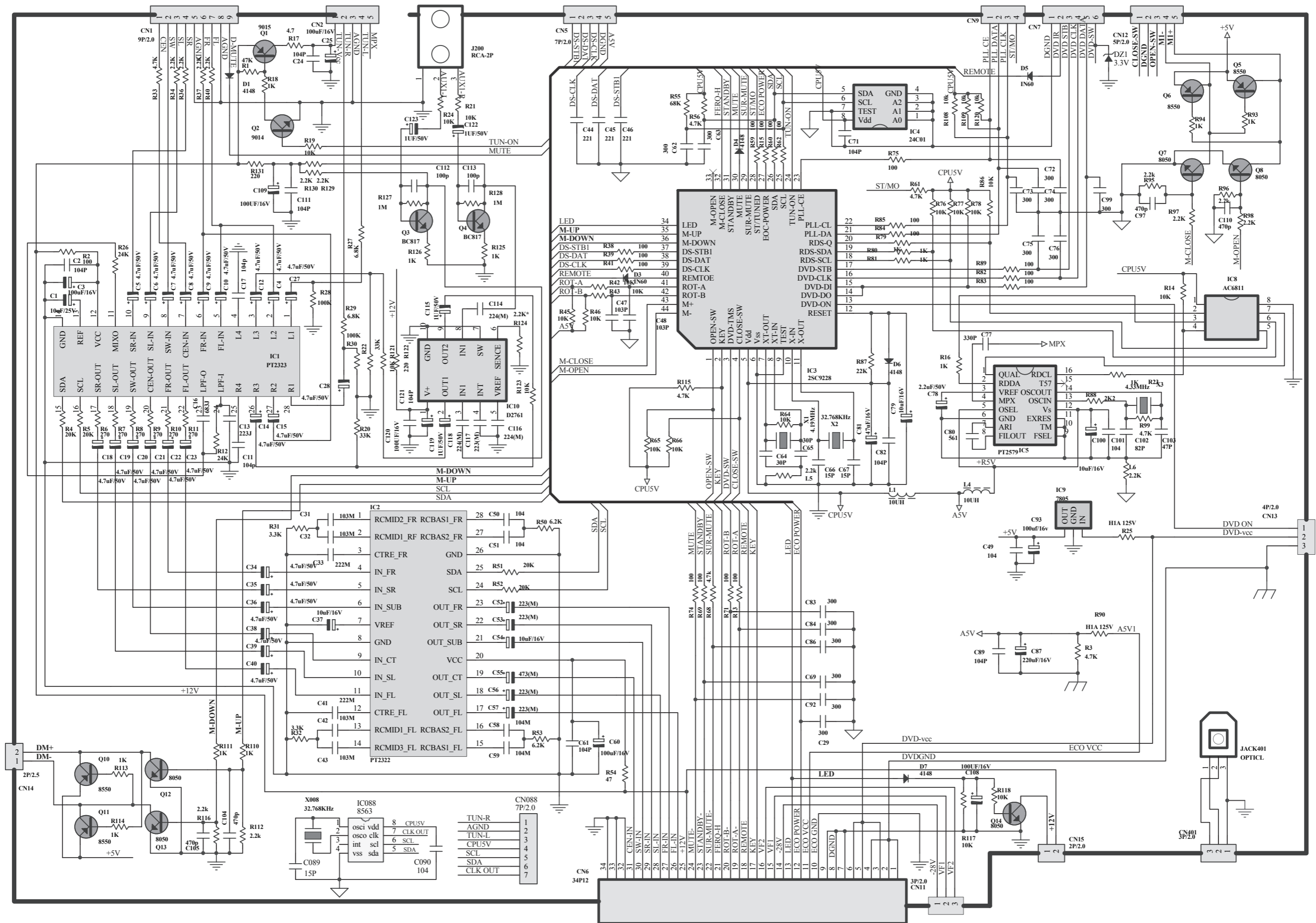
**note: tolerance RES±10%  
CAP±20%,  
special parts nated beside parts**

**All parts comply with supply environment  
protect material licf regulate by green envionment management**

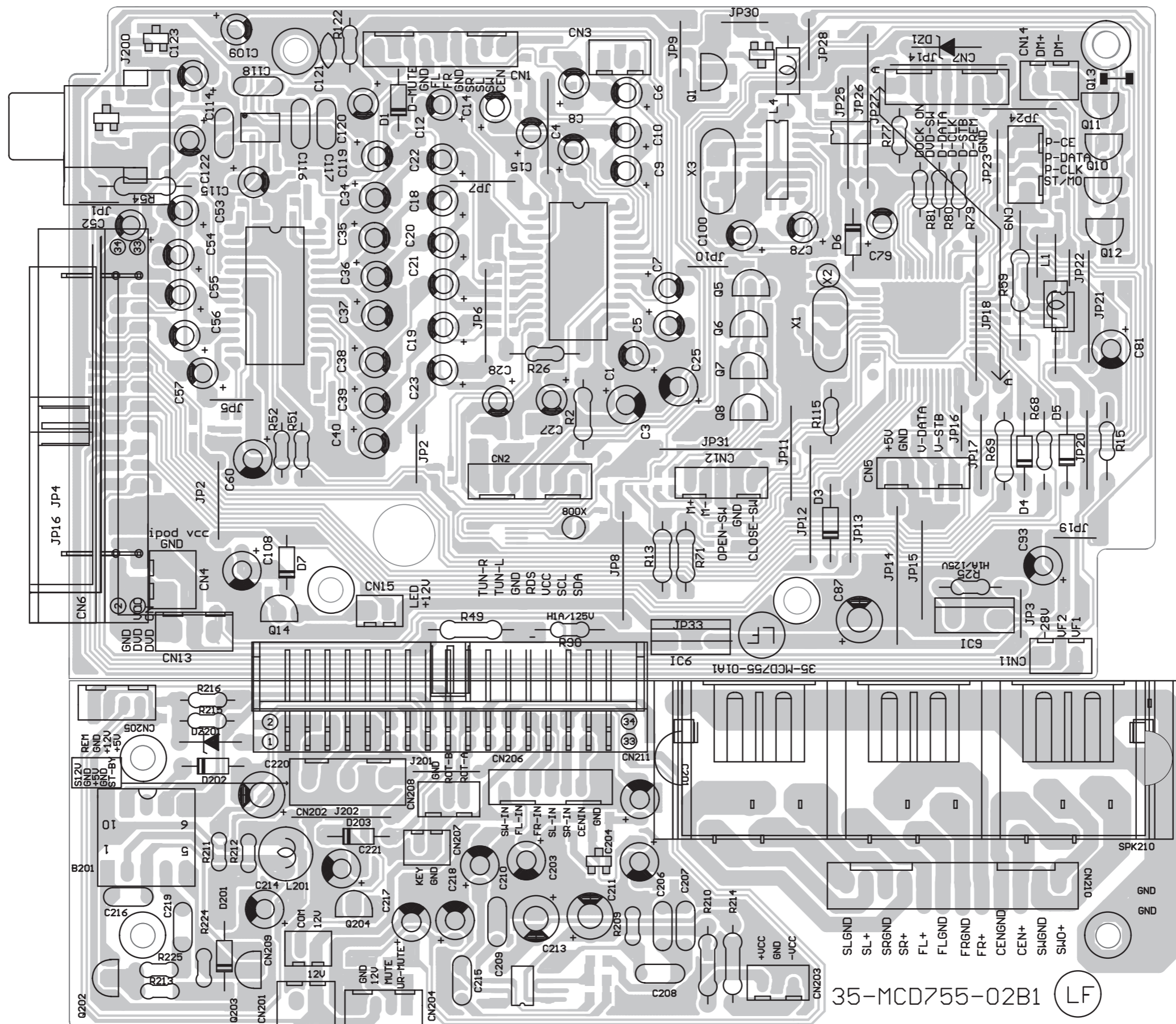
LAYOUT DIAGRAM - VFD BOARD



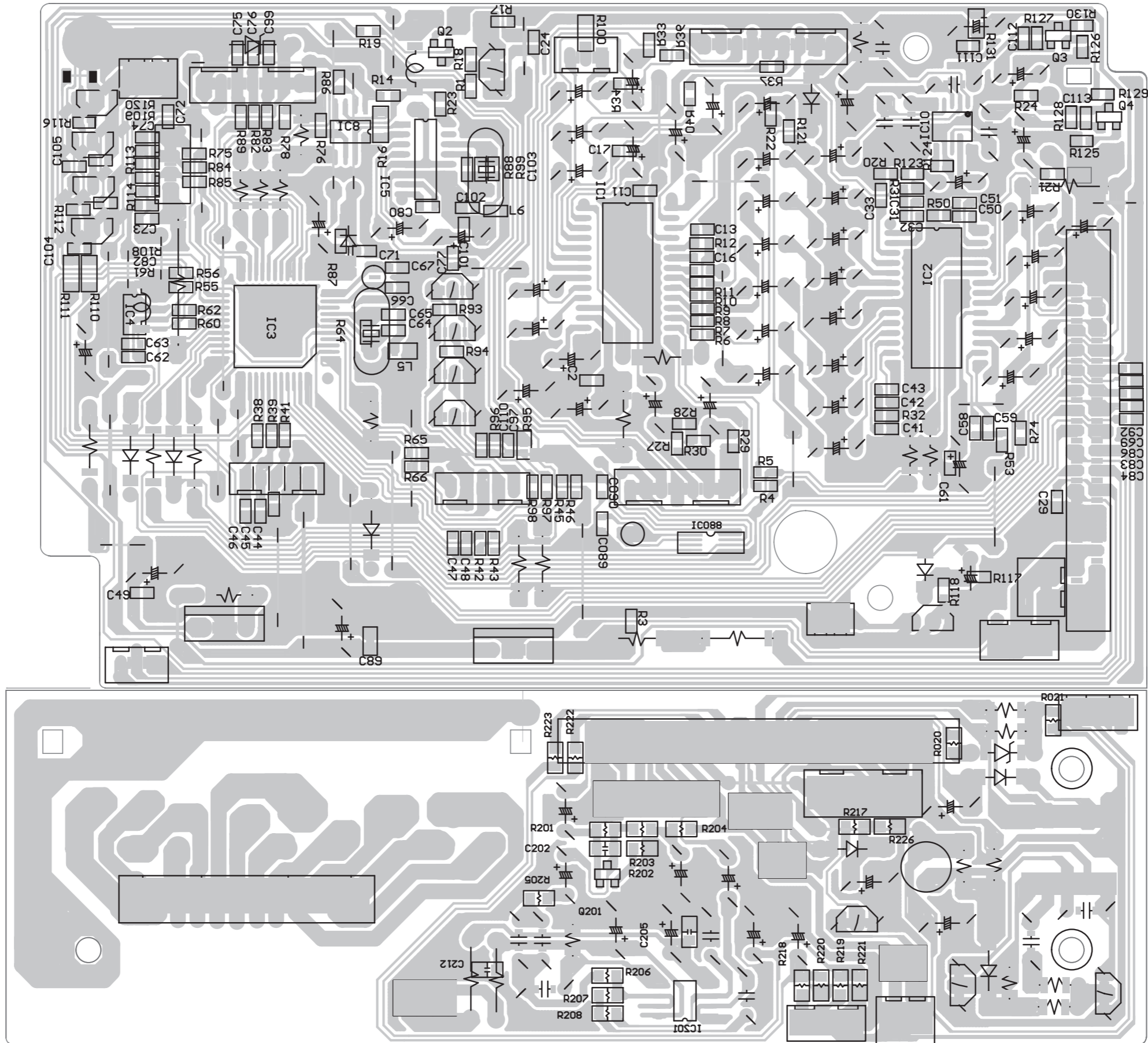
# CIRCUIT DIAGRAM - CPU BOARD



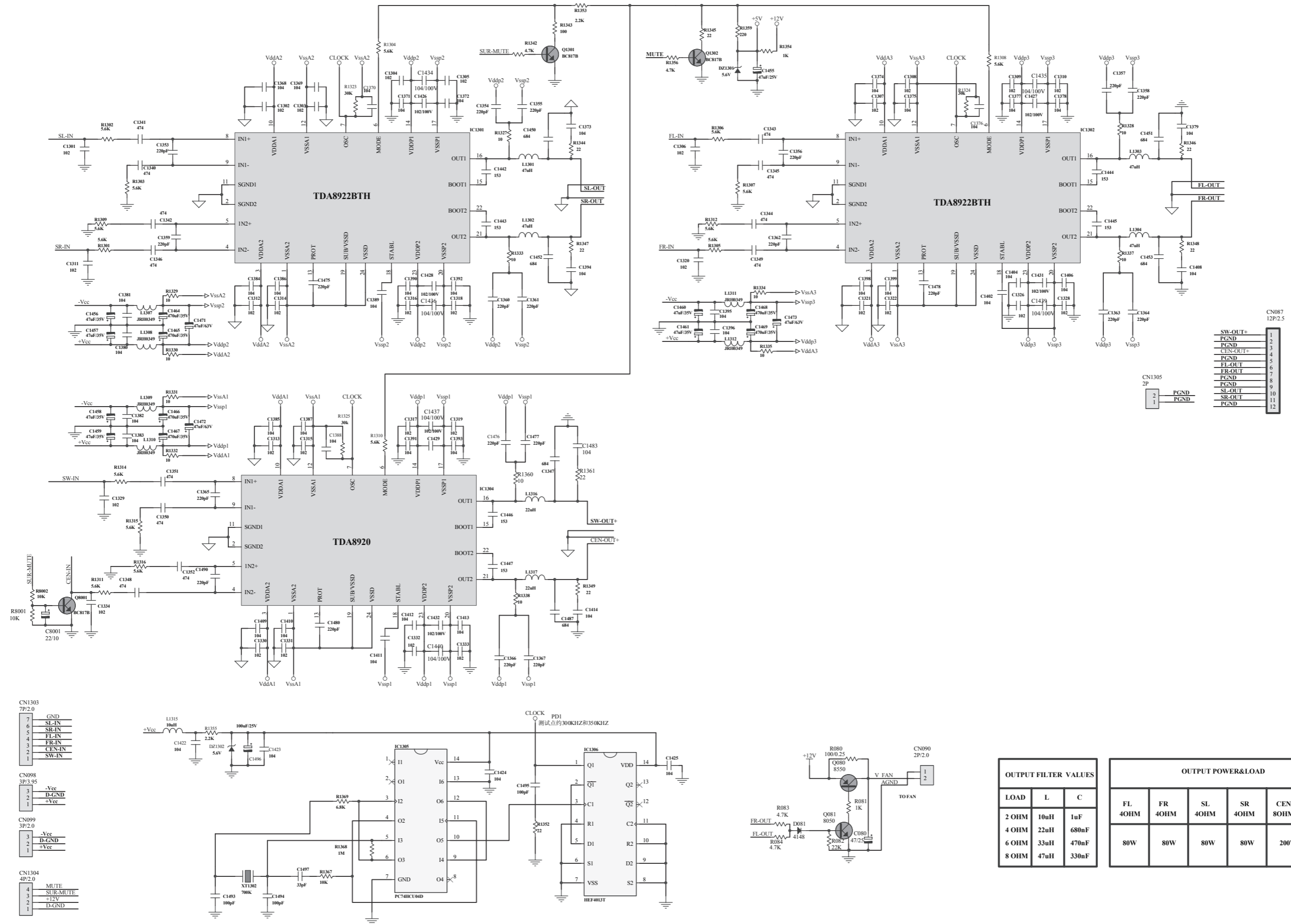
## LAYOUT DIAGARM - CPU BOARD



LAYOUT DIAGRAM - CPU BOARD



CIRCUIT DIAGRAM - AMP BOARD



- CN087  
12P/2.5
- 1 SW-OUT+
  - 2 PGND
  - 3 PGND
  - 4 CEN-OUT+
  - 5 FL-OUT
  - 6 PGND
  - 7 FR-OUT
  - 8 PGND
  - 9 PGND
  - 10 SL-OUT
  - 11 SR-OUT
  - 12 PGND

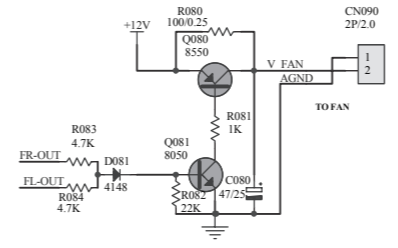
- CN1305  
2P
- 1 PGND
  - 2 PGND

- CN1303  
7P/2.0
- 1 GND
  - 2 SL-IN
  - 3 SR-IN
  - 4 FL-IN
  - 5 FR-IN
  - 6 CEN-IN
  - 7 SW-IN

- CN098  
3P/3.95
- 1 -Vcc
  - 2 D-GND
  - 3 +Vcc

- CN099  
3P/2.0
- 1 -Vcc
  - 2 D-GND
  - 3 +Vcc

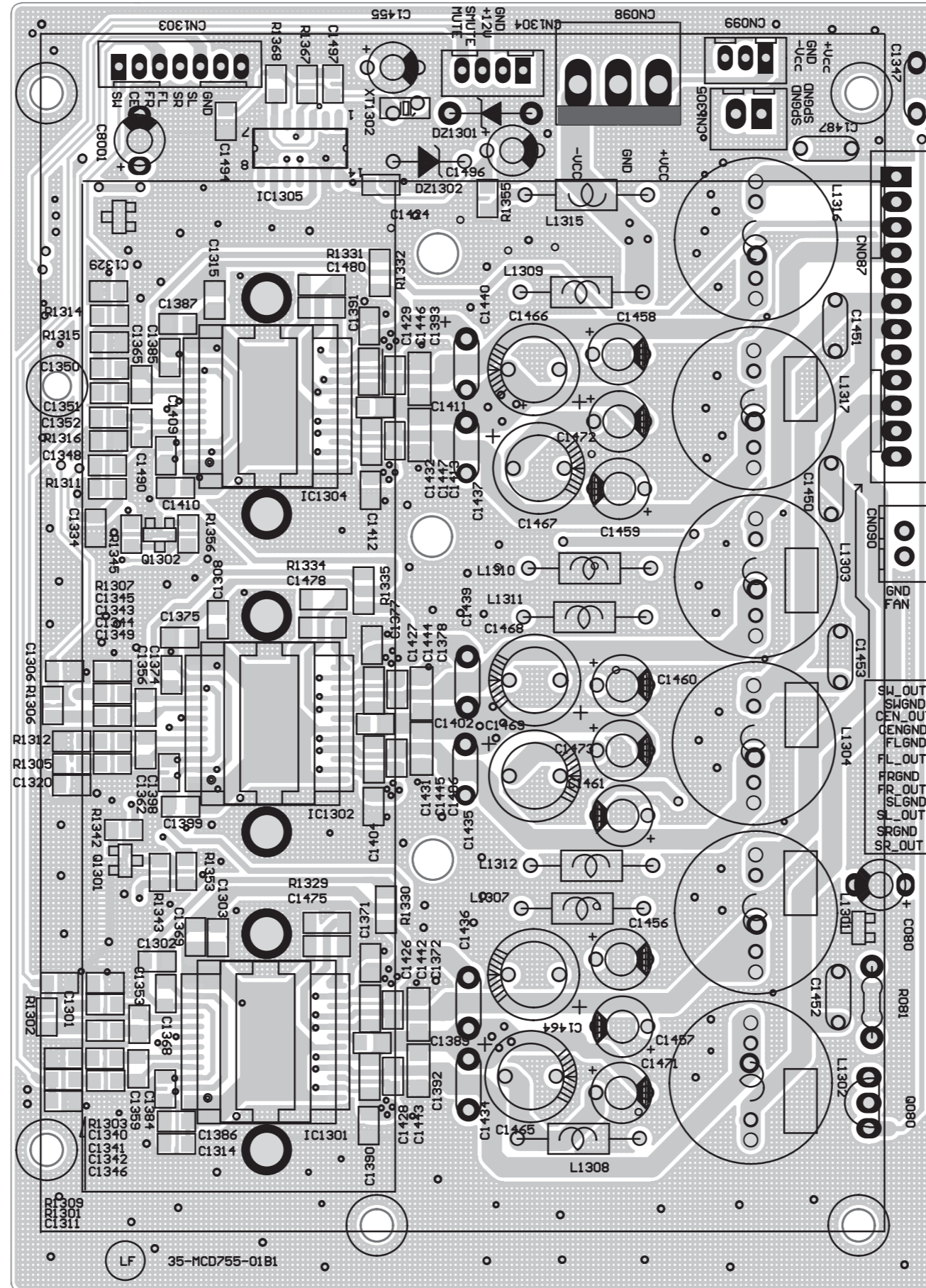
- CN1304  
4P/2.0
- 1 MUTE
  - 2 SUR-MUTE
  - 3 +12V
  - 4 D-GND



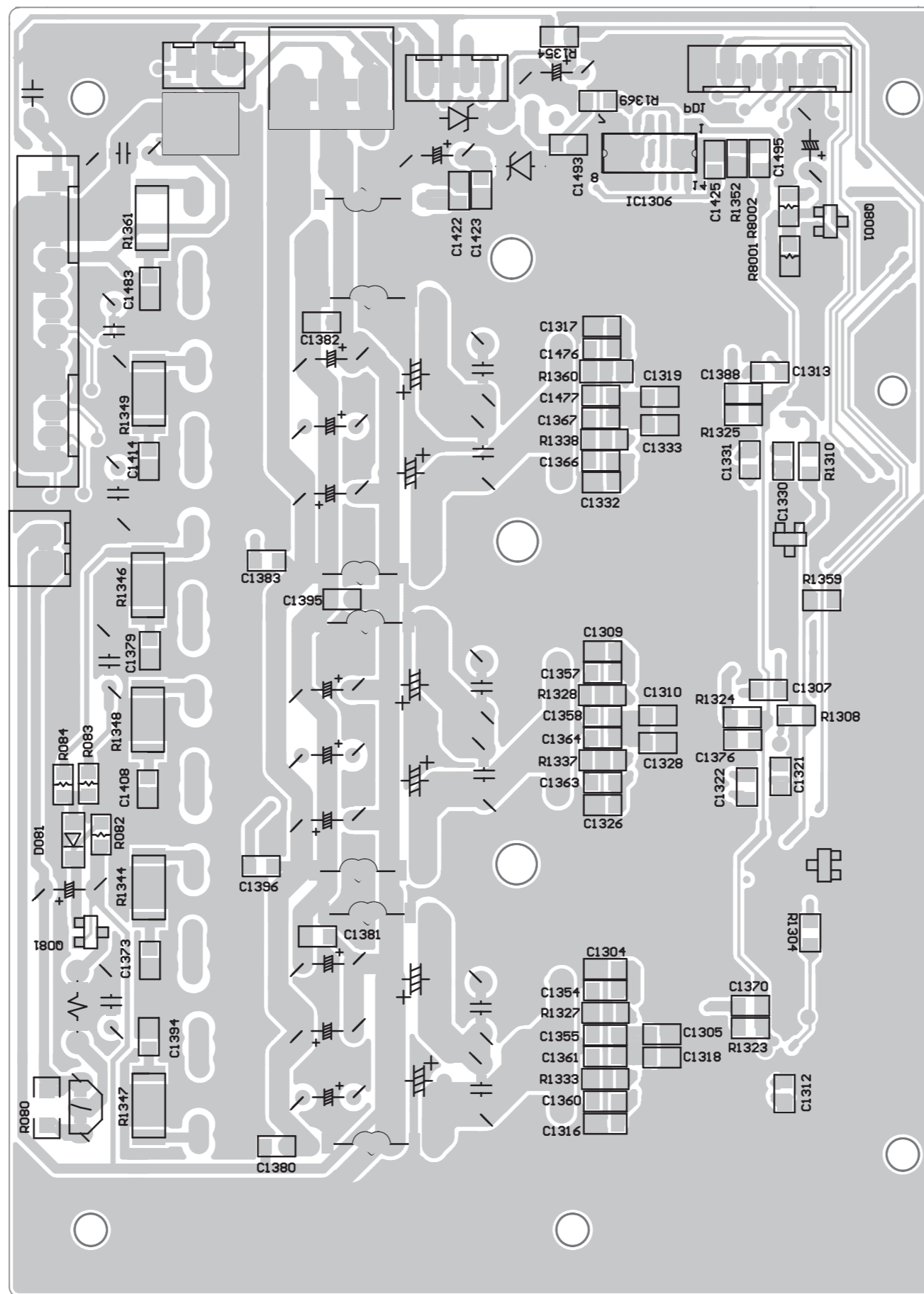
OUTPUT FILTER VALUES		
LOAD	L	C
2 OHM	10uH	1uF
4 OHM	22uH	680nF
6 OHM	33uH	470nF
8 OHM	47uH	330nF

OUTPUT POWER&LOAD					
FL	FR	SL	SR	CEN	SW
40HM	40HM	40HM	40HM	80HM	80HM
80W	80W	80W	80W	200W	200W

LAYOUT DIAGRAM - AMP BOARD



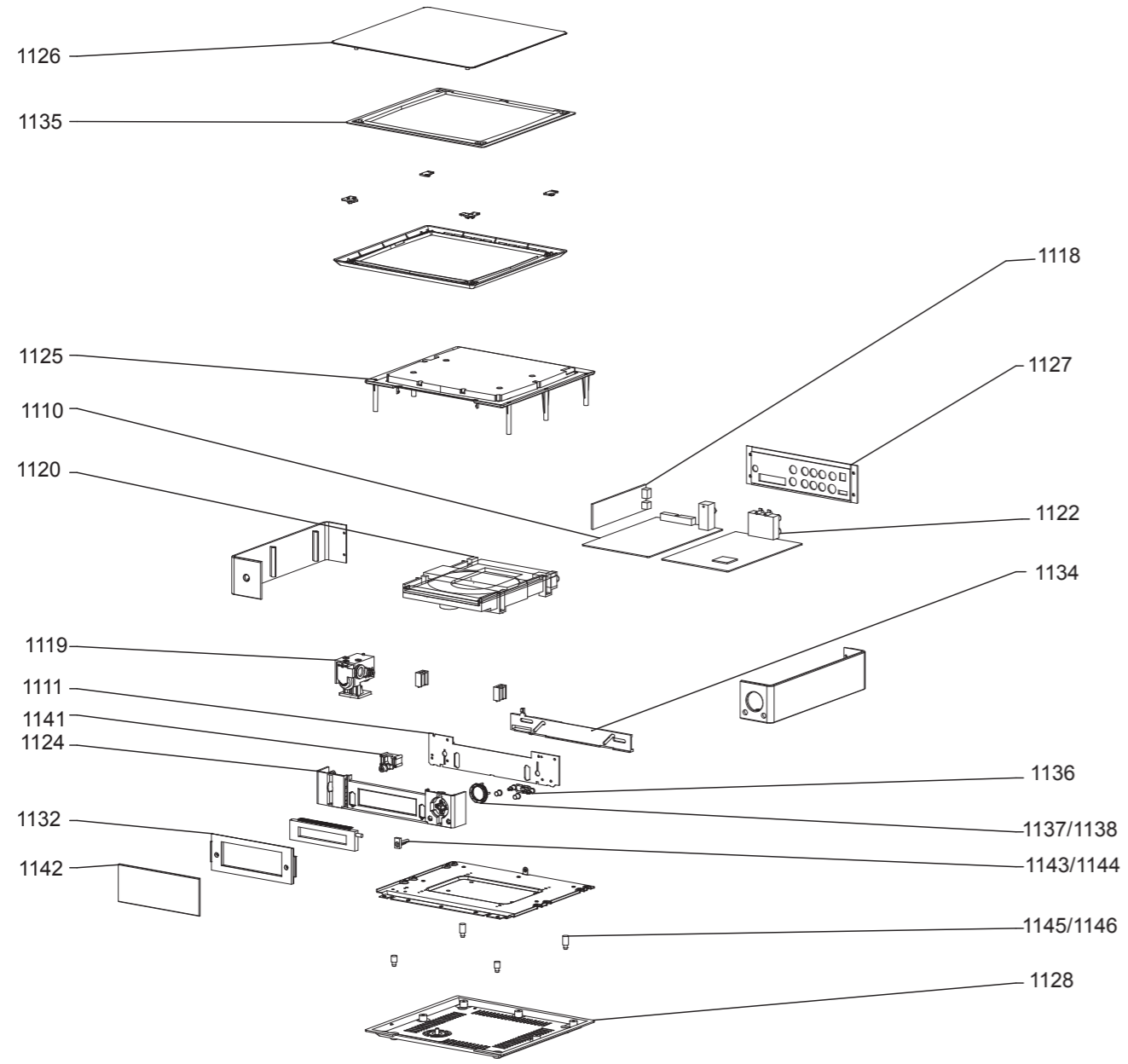
LAYOUT DIAGRAM - AMP BOARD



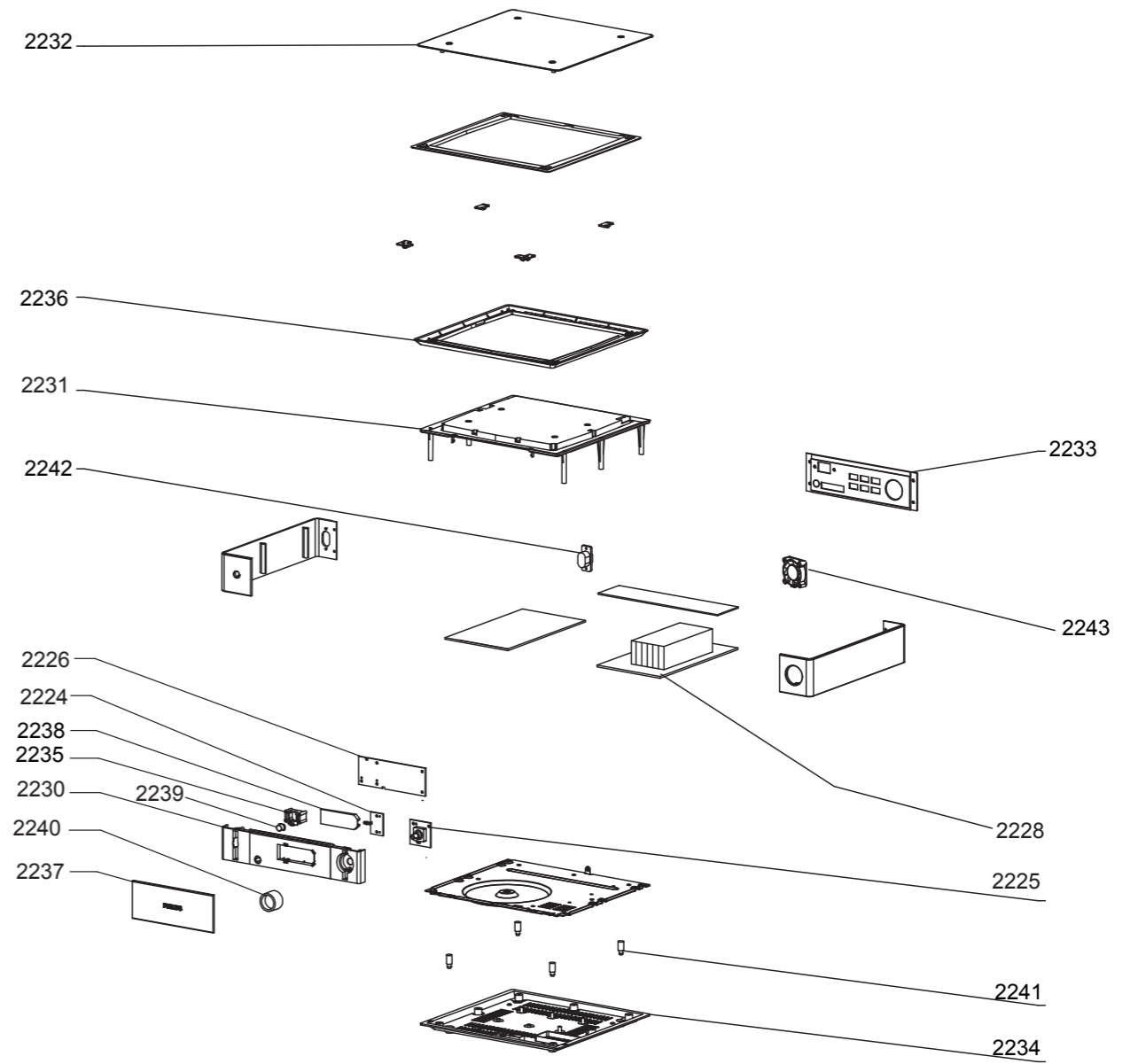


EXPLODED VIEW DIAGRAM

DVD PART



AMP PART



**SERVICE PARTSLIST (DVD PART)**

1110	996510008517	CPU PCB ASSY MCD755
1111	996510008518	DISPLAY PCB ASSY MCD755
1112	996510008519	CAB TOP LAMP PCB ASSY MCD755
1113	996510008520	CAB TOP LAMP PCB ASSY MCD755
1114	996510008521	CAB TOP LAMP PCB ASSY MCD755
1115	996510008522	CAB TOP LAMP PCB ASSY MCD755
1116	996510008523	OUTPUT PCB ASSY MCD755
1117	996510008524	TUNER BOARD PCB ASSY ECO6-05
1118	996510008525	RADIO CONTROL PCB ASSY MCD755
1119	996510008526	MOTOR ASSY MCD759
1120	996500042540	DVD DISC ASS'Y
1121	996510008527	MCU PARTS ASSY MCD755/93
1122	996510008528	DECODER CARD ASSY MCD755/93
1124	996510000242	DVD CABINET FRONT ABS
1125	996510000240	TOP COVER1 PC
1126	996510000803	MCD705 DVD TOP COVER
1127	996510008529	MCD755 DVD CABINET BACK
1128	996500038160	DVD CABINET BOTTOM
1129	996510000244	DVD DOOR ABS
1130	996510000245	DVD CONTROL BUTTON BRACKET ABS
1131	996510000455	DVD LEAP KNOB BRACKET
1132	996500038468	DVD DOOR BRACKET
1133	996510000456	DVD STANDBY KNOB BRACKET
1134	996510002936	MCD705 DVD SLID PLANK
1135	996510000239	TOP LIGHT LENS PMMA
1136	996510000457	DSC LEAP KNOB SILVER
1137	996510000249	DVD CONTROL BUTTON ABS(UP&DOWN)
1138	996510000250	DVD CONTROL BUTTON ABS(L&R)
1139	996510000458	OPEN/CLOSE KNOB SILVER
1140	996510000251	DVD CONTROL BUTTON CENTRE ABS
1141	996510000459	DVD STANDBY KNOB SILVER
1142	996510008530	MCD705 DVD UNIT DISPLAY LENS
1143	994000005163	DVD DOOR POST-L
1144	994000005164	DVD DOOR POST-R
1145	996510000254	RUBBER FOOT A
1146	996510000255	RUBBER FOOT B
1147	996510008531	FLAT FLEX CABLE 24PX130X0.5XA

**Note: Only these parts mentioned in the list are normal service parts.**

**SERVICE PARTSLIST (AMP PART)**

2220	996510008519	CAB TOP LAMP PCB ASSY MCD755
2221	996510008520	CAB TOP LAMP PCB ASSY MCD755
2222	996510008521	CAB TOP LAMP PCB ASSY MCD755
2223	996510008522	CAB TOP LAMP PCB ASSY MCD755
2224	996510008532	AMP UNIT FRONT LAMP PCB ASSY
2225	996510008533	ROT ENCODER PCB ASSY MCD755
2226	996510008534	AMP FRONT PCB ASSY MCD755
2227	996510008535	AMP CONNECTION PCB ASSY MCD755
2228	996510008536	AMP PCB ASSY MCD755
2229	996520032553	AMP CASING PARTS ASS'Y MCD755/93
2230	996510000469	AMP CABINET FRONT
2231	996510000240	TOP COVER1 PC
2232	996510000470	AMP TOP COVER
2233	996510008537	MCD755 AMP CAB BACK (5.1CH)ABS
2234	996510000472	AMP BOTTOM HIPS
2235	996510002963	MCD759 AMP SOURCE KNOB BKT
2236	996510000239	TOP LIGHT LENS PMMA
2237	996510008538	MCD705 AMP UNIT DISPLAY LENS
2238	996510000475	LOGO LIGHT GUIDE
2239	996510000476	AMP SOURCE KNOB SILVER
2240	996510000477	AMP VOLUME KNOB
2241	996510000255	RUBBER FOOT B
2242	994000005165	AC SOCKET 1A/250V
2243	996510008539	MINI FAN RDM4010S 12V/0.07A
2244	996510008540	AC LINE CORD 200 2P VH-03X1

**ACCESSORIES**

3331	996500041018	FM ANTENNA WIRE 1.5m
3332	996510000213	CONTROL CABLE 350 2.5/34P
3333	996510008541	22 SINGLE WIRE 100 BLACK
3334	994000005166	AC LINE CORD 1.8M
3335	994000005078	AUDIO SINGLE WIRE W/RCA 1.5M
3336	996500041617	PLEXIG. BKT ASS'Y PH MCD705
3337	996510008542	FRONT SPK BOX ASSY(L)
3338	996510008543	FRONT SPK ASSY(R)MCD755/93
3339	996510008544	CENTER SPK BOX ASSY MCD755/93
3340	996510008545	SURROUND SPEAKER BOX ASSY(L)
3341	996510008546	SURROUND SPEAKER BOX(R) ASSY
3342	996510008547	WOOFER SPK BOX ASSY MCD755/93
3343	996510008548	REMOTE CONTROL ASSY PRC502-04

**Note:** Only these parts mentioned in the list are normal service parts.

## Part list

BOM NO.	DESCRIPTION	Q'TY	UNIT	USAGE
09-MCD755-01A101	DVD UNIT PARTS ASS'Y MCD755/93	1	SET	
07-MCD755-01A101	CPU PCB ASS'Y MCD755	1	SET	
13000641	CHIP RESISTOR 100 1/16W J(0603)	6	PCS	R38,39,41,60,62,74
13000680	CHIP RESISTOR 270 1/16W J(0603)	6	PCS	R6-11
13000790	CHIP RESISTOR 15K 1/16W J (0603)	2	PCS	R21,24
13000661	CHIP RESISTOR 1K 1/16W J(0603)	8	PCS	R114,113,23,27,29,93,94,18
13000712	CHIP RESISTOR 680 1/16W J(0603)	2	PCS	R125,126
13000068	CHIP RESISTOR 1K 1/4W J (1206)	2	PCS	R111,110
13000667	CHIP RESISTOR 2.2K 1/16W J(0603)	2	PCS	R129,130
13000667	CHIP RESISTOR 2.2K 1/16W J(0603)	6	PCS	R95-98,112,116
13000683	CHIP RESISTOR 3.3K 1/16W J(0603)	2	PCS	R31,32
13000697	CHIP RESISTOR 4.7K 1/16W J(0603)	2	PCS	R3,56
13000887	CHIP RESISTOR 6.2K 1/16W J (0603)	2	PCS	R50,53
13000646	CHIP RESISTOR 10K 1/16W J(0603)	11	PCS	R42,43,45,46,64,65,66,19,R117,118,78
13000670	CHIP RESISTOR 20K 1/16W J(0603)	2	PCS	R4,5
13000675	CHIP RESISTOR 22K 1/16W J(0603)	1	PCS	R87
13000679	CHIP RESISTOR 24K 1/16W J(0603)	1	PCS	R12
13000791	CHIP RESISTOR 68K 1/16W J (0603)	1	PCS	R55
13000645	CHIP RESISTOR 100K 1/16W J(0603)	2	PCS	R28,30
13000382	CARBON FILM RESISTOR 47 1/8W J-52	1	PCS	R54
13000178	CARBON FILM RESISTOR 100 1/8W J-52	7	PCS	R13,15,59,69,71,2,JP13
13000401	CARBON FILM RESISTOR 4.7K 1/8W J-52	2	PCS	R68,115
13000280	CARBON FILM RESISTOR 20K 1/8W J-52	2	PCS	R51,52
13000321	CARBON FILM RESISTOR 24K 1/8W J-52	1	PCS	R26
13000637	CHIP RESISTOR 0 1/16W J(0603)	12	PCS	R72,R73,121,123,82,83,89,R33,34,36,37,40
13000098	CHIP RESISTOR 220 1/16W J (0805)	1	PCS	R131
13000664	CHIP RESISTOR 1M 1/16W J(0603)	2	PCS	R127,R128
13000017	METAL OXIDE FILM RESISTOR 220 1/8WF-52	1	PCS	R122
13000060	CHIP RESISTOR 0 1/4W J (1206)	1	PCS	R47
13000125	CHIP RESISTOR 47K 1/16W J (0603)	1	PCS	R1
14000669	CHIP CAP.103P 50V K (0603) X7R	6	PCS	C31,32,42,43,47,48
14000382	CHIP CAP.104P 50V M (0603) Y5V	14	PCS	C2,11,17,24,49,50,51,58,59,61,71,090,89,111
14000741	CHIP CAP.220P 50V K (0603) X7R	4	PCS	C44-46,99
14000755	CHIP CAP.222P 50V K (0603) X7R	2	PCS	C33,41
14000698	CHIP CAP.223P 50V M (0603) Y5V	1	PCS	C13
14000875	CHIP CAP.300P 50V K (0603) X7R	8	PCS	C29,62,63,69,,83,84,86,92
14000745	CHIP CAP.15P 50V J (0603) NPO	1	PCS	C089
14000876	CHIP CAP.30P 50V J (0603) NPO	2	PCS	C64,65
14000867	CHIP CAP.470P 50V K (0603) X7R	4	PCS	C104,105,97,110
14000870	CHIP CAP.683P 50V M (0603) Y5V	1	PCS	C16

## Part list

BOM NO.	DESCRIPTION	Q'TY	UNIT	USAGE
14000326	ELECTROLYTIC CAP.47u 16V L-5 5X7	1	PCS	C81
14000203	ELECTROLYTIC CAP.100u 16V L-5 8X5	7	PCS	C3,60,93,25,109,108,120
14000768	ELECTROLYTIC CAP.10u 25V L-5 4X5	3	PCS	C1,79,37
14000309	ELECTROLYTIC CAP.4.7u 50V L-5 4X5	1	PCS	C54
14000680	ELECTROLYTIC CAP.220U 16V L-5 8X7	1	PCS	C87
14000309	ELECTROLYTIC CAP.4.7u 50V L-5 4X5	24	PCS	C4-10,12,14,15,18-23,27,28,34-36,C38,39,40
14000021	CERMIC CAP. 104P 50V K-5	1	PCS	C121
14000653	ELECTROLYTIC CAP. 1μ 50V L-5 105°C 4X7	4	PCS	C115,C119,C122,C123
14000667	CHIP CAP.100P 50V K (0603) X7R	2	PCS	C112,C113
14000708	NONINDUCTIVE CAP.223J 100V K-5	4	PCS	C52,C53,C57,C56
14000160	NONINDUCTIVE CAP.473P 100V K-5	1	PCS	C55
15000008	FIXED INDUCTOR 10u JRCW0308	1	PCS	L1
16000018	DIODE 4148-52	4	PCS	D1,4,7,6
16000058	ZENER DIODE 3.3V 1/2W-52	1	PCS	DZ1
16000115	DIODE IN60 L26	2	PCS	D3,5
17000025	TRANSISTOR 8050C-5	5	PCS	Q7,8,12,13,14
17000030	TRANSISTOR 8550C-5	5	PCS	Q1,5,6,11,10
17000005	CHIP TRANSISTOR BC817-25(SOT23)	2	PCS	Q3,Q4
17000009	CHIP TRANSISTOR 9014 (SOT-23)	1	PCS	Q2
19000081	IC PT2322 SOP	1	PCS	IC2
19000083	IC PT2323 SOP	1	PCS	IC1
19000071	IC AT24C02-PC27(2.7V) SOP PACKING	1	PCS	IC4
19000103	IC LM7805/LM340T5 7805	1	PCS	IC9
19000383	IC PCF8563/AMI8563 SOP8	1	PCS	IC088
22000018	CERAMIC CRYSTAL OSCILLATOR 4.19mHz	1	PCS	X1
22000021	CRYSTAL OSCILLATOR 32.768KHz φ3XH8±10PPM	1	PCS	X008
24000070	RCA SOCKET 2p AV2-8.4-13 RED WHITE	1	PCS	J200
25000014	PINS CONNECTOR 2.0/3P	1	PCS	CN11
25000077	PINS CONNECOTR 2.5/34P (BENDING)	1	PCS	CN6
25000010	PINS CONNECTOR (BENDING) 2.5/2P	1	PCS	CN14
25000009	PINS CONNECTOR 2.0/2P	1	PCS	CN15
25000034	PINS CONNECTOR 2.0/5	2	PCS	CN12,CN5
25000016	PINS CONNECTOR 2.5/3P	1	PCS	CN13
25000053	PINS CONNECTOR 2.0/9P	1	PCS	CN1
26000083	△FUZE F1A/125V	2	PCS	R25, 90
33000038	FERRITE BEAD CBG0805 2.2K 500mA	1	PCS	L5
42000135	BARE WIRE φ0.6X40mm (375m=1kG)	1	PCS	R49
35-MCD755-01A1	PCB 35-MCD755-01A1	1	PCS	
07-MCD755-06A101	DISPLAY PCB ASS'Y MCD755	1	SET	
13000316	CARBON FILM RESISTOR 2.2 1/2W J	2	PCS	R603,604

## Part list

BOM NO.	DESCRIPTION	Q'TY	UNIT	USAGE
14000386	CHIP CAP.104P 50V M (0805) Y5V	4	PCS	C602-605
14000425	CHIP CAP.334P 50V M (0805) Y5V	4	PCS	C607-610
13000070	CHIP RESISTOR 10K 1/16W J (0805)	2	PCS	R609,610
13000117	CHIP RESISTOR 33K 1/16W J (0805)	4	PCS	R605-608
13000124	CHIP RESISTOR 4.7K 1/16W J (0805)	1	PCS	R601
13000127	CHIP RESISTOR 47K 1/16W J (0805)	1	PCS	R602
14000319	ELECTROLYTIC CAP.47u 16V L 5X11	1	PCS	C601
16000018	DIODE 4148-52	3	PCS	D601-603
19000295	IC PT6311/SC16311/CD16311	1	PCS	IC601
29000227	VFD DISPLAY NE-705D-2.GB	1	PCS	VFD701
23000032	LIGHT TOUCH SWITCH TC103 6X6X5 170G	8	PCS	SW601-608
42000135	BARE WIRE $\phi$ 0.6X40mm (375m=1kG)	23	PCS	
35-MCD755-06A1	VFD DISPLAY PCB 35-MCD755-06A1	1	PCS	
07-MCD755-11A101	CABINET TOP LAMP PCB ASS'Y MCD755 11-1	1	SET	
13000833	CHIP RESISTOR 680 1/4W J (1206)	2	PCS	R904,905
16000035	LED $\phi$ 3 3B4SCB01 (BLUE)	2	PCS	LED1104,1103
35-MCD755-11A1	TOP CABINET LAMP PCB 35-MCD755-11A1	1	PCS	
39-MCD705-21A100	MCD705 TOP COVER2 ABS	1	PCS	
07-MCD755-12A101	CABINET TOP LAMP PCB ASS'Y MCD755 12-1	1	SET	
13000833	CHIP RESISTOR 680 1/4W J (1206)	1	PCS	R912
16000035	LED $\phi$ 3 3B4SCB01 (BLUE)	1	PCS	LED1200
35-MCD755-12A1	TOP CABINET LAMP PCB 35-MCD755-12A1	1	PCS	
07-MCD755-11A201	CABINET TOP LAMP PCB ASS'Y MCD755 11-2	1	SET	
13000833	CHIP RESISTOR 680 1/4W J (1206)	2	PCS	R906,907
16000035	LED $\phi$ 3 3B4SCB01 (BLUE)	2	PCS	LED1100,1101
35-MCD755-11A2	TOP CABINET LAMP PCB 35-MCD755-11A2	1	PCS	
07-MCD755-12A201	CABINET TOP LAMP PCB ASS'Y MCD755 12-2	1	SET	
13000833	CHIP RESISTOR 680 1/4W J (1206)	1	PCS	R910
16000035	LED $\phi$ 3 3B4SCB01 (BLUE)	1	PCS	LED1201
35-MCD755-12A2	TOP CABINET LAMP PCB 35-MCD755-12A2	1	PCS	
07-MCD755-04A101	OUTPUT PCB ASS'Y MCD755	1	SET	
25000014	PINS CONNECTOR 2.0/3P	1	PCS	CN401
24000101	OPTICAL DIGITAL JACK TX179AT 0248-CDA	1	PCS	JACK401
35-MCD755-04A1	OUTPUT TERMINAL PCB 35-MCD755-04A1	1	PCS	
07-ECO6-05A103	TUNER BOARD PCB ASS'Y ECO6-05	1	SET	
13000645	CHIP RESISTOR 100K 1/16W J(0603)	1	PCS	R18
13000646	CHIP RESISTOR 10K 1/16W J(0603)	3	PCS	R15,16,8
13000640	CHIP RESISTOR 10 1/16W J(0603)	1	PCS	R19
13000664	CHIP RESISTOR 1M 1/16W J(0603)	3	PCS	R2,3,12
13000697	CHIP RESISTOR 4.7K 1/16W J(0603)	3	PCS	R4-6

## Part list

BOM NO.	DESCRIPTION	Q'TY	UNIT	USAGE
13000990	CHIP RESISTOR 47 1/16W J(0603)	1	PCS	R1
13001110	CHIP RESISTOR 10M 1/16W J (0603)	1	PCS	R11
13000719	CHIP RESISTOR 820 1/16W J(0603)	2	PCS	R13,14
14000737	CHIP CAP.10P 50V J (0603) NPO	1	PCS	C14
13000689	CHIP RESISTOR 330 1/16W J(0603)	1	PCS	R22
14000670	CHIP CAP.12P 50V J(0603)NPO	1	PCS	C20
14000698	CHIP CAP.223P 50V M (0603) Y5V	1	PCS	C25
14001087	CHIP CAP.39P 50V J (0603) NPO	1	PCS	C21
14000677	CHIP CAP.47P 50V J(0603)NPO	1	PCS	C8
14000448	TANTALUM CAP. 22uF/6.3V (A) (3216)	5	PCS	C1,18,19,22,24
14000756	CHIP CAP.224P 50V M (0603) Y5V	4	PCS	C2-5
14000671	CHIP CAP.27P 50V J(0603) NPO	1	PCS	C7
14000667	CHIP CAP.100P 50V K (0603) X7R	2	PCS	C6,23
14000669	CHIP CAP.103P 50V K (0603) X7R	5	PCS	C10,11,15,16,17
14000382	CHIP CAP.104P 50V M (0603) Y5V	3	PCS	C13,12,9
15000221	CHIP INDUCTOR 120n K (0603)	1	PCS	L1
15000220	CHIP INDUCTOR 100uH K(1206)	1	PCS	L6
15000222	CHIP INDUCTOR 39n J (0603)	1	PCS	L7
15000240	CHIP INDCTOR 10U (0603)	1	PCS	L8
16000357	CHIP ZENER DIODE 3.6V 1/2W (LL-34)	1	PCS	DZ1
17000009	CHIP TRANSISTOR 9014 (SOT-23)	2	PCS	Q2,3
17000004	CHIP TRANSISTOR 8050(SOT-23)	1	PCS	Q1
19000461	IC 74HC2G04	1	PCS	IC2
19000431	IC TEA5760UK	1	PCS	IC1
22000036	CRYSTAL OSCILLATOR 32.768KHZ $\phi$ 2X6	1	PCS	X1
33000063	FERRITE BEAD 601 K (0603)	2	PCS	L4,5
25002927	PINS CONNECTOR 2.0X2X4P H8	1	PCS	CN1
35-EC06-05A1	PCB 35-EC06-05A1 TUNER	1	PCS	
37001242	METAL BOX F-8 28X26X13 NICKEL-PLATE	1	PCS	
07-TU05-01A101	RADIO CONTROL PCB ASS'Y MCD755	1	SET	
25000044	PINS CONNECTOR 2.0/7P	1	PCS	
35-TU05-01A1	RADIO CONTROL PCB 35-Tu05-01A1	1	PCS	
08-MCD759-16A102	MOTOR ASS'Y MCD759	1	SET	
37-NE1300-01A100	1300 WORM PREFORMING	1	PCS	
39-NE1300-09A100	NE1300 WORM WHEEL BRACKET	1	PCS	
39000431	SINGLE MOTOR WHEEL WHITE	1	PCS	
39-MCD728-17A100	MCD728 WORM WHEEL	1	PCS	
39-MCD728-18A100	MCD728 WORM WHEEL POM	1	PCS	
34000016	MOTOR RF-360C-13450	1	PCS	
36000290	LEATHER BELT NE-1300	1	PCS	

## Part list

BOM NO.	DESCRIPTION	Q'TY	UNIT	USAGE
38000028	SCREW 3 X 4 FM NICKEL-PLATE	2	PCS	
38000114	SCREW 3 X 10 PA NICKEL-PLATE	1	PCS	
08-MCD759-01A101	DVD DISC ASS'Y MCD759	1	SET	
31000066	DVD MECHANISM SONY KHM-313AAA OPTICAL	1	PCS	
31000043	DVD MECHANISM BRACKET RT-656n	1	PCS	
04-MCD755-01A101	MCU PARTS ASS'Y MCD755/93	1	SET	
19000169	CPU U252(3P9228 XYZ-CAN CHANGE)	1	PCS	IC3
45-MCD755-01A101	MCD755/93 CPU SOFTWARE(V1.0)	1	PCS	
04-MCD755-02A102	DECODER CARD ASS'Y MCD755/93	1	SET	
32000374	DVD DECODER CARD EJS-89HD18H (5.1CH)	1	PCS	
46-MCD755-01A101	MCD755/93 DVD SOFTWARE(V1.0)	1	PCS	
08-MCD755-01A101	DVD CASING PARTS ASS'Y MCD755/93	1	SET	
37-MCD759-05A100	MCD759 DVD METAL BOTTOM	1	PCS	
37-MCD759-06A106	MCD728 DVD SIDE PLATE(L) ALUMINIUM	1	PCS	
37-MCD759-07A101	MCD759 DVD SIDE PLATE ALUMINIUM (R)	1	PCS	
37-MCD705-08A101	MCD705 RIG OUT METAL PLATE ALUMINIUM	1	PCS	
39-MCD705-34A100	MCD705 DVD CABINET FRONT ABS	1	PCS	
39-MCD705-20A100	MCD705 TOP COVER1 PC	1	PCS	
39-MCD705-36A200	MCD705 DVD DRIVE BRACKET ABS	2	PCS	
39-MCD705-24A100	MCD705 DVD TOP COVER ABS	1	PCS	
39-MCD759-20A101	MCD755 DVD CABINET BACK	1	PCS	
39-MCD705-12B100	MCD705 DVD CABINET BOTTOM HIPS	1	PCS	
39-MCD705-27A100	MCD705 DVD DOOR ABS	1	PCS	
39-MCD705-32A100	MCD705 DVD CONTROL BUTTON BRACKET ABS	1	PCS	
39-MCD759-05A100	MCD759 DVD LEAP KNOB BRACKET ABS	1	PCS	
39-MCD705-03A200	MCD705 DVD DOOR BRACKET ABS	1	PCS	
39-MCD759-08A100	MCD759 DVD STANDBY KNOB BRACKET ABS	1	PCS	
39-MCD705-25A100	MCD705 DVD SLID PLANK ABS	1	PCS	
39-MCD705-18A100	MCD705 TOP LIGHT LENS PMMA	1	PCS	
39-MCD759-07A101	MCD759 DSC LEAP KNOB SILVER ABS	1	PCS	
39-MCD705-13A101	MCD705 DVD CONTROL BUTTON ABS SILVER	2	PCS	
39-MCD705-26A101	MCD705 DVD CONTROL BUTTON ABS SILVER	2	PCS	
39-MCD759-06A101	MCD759 OPEN/CLOSE KNOB SILVER ABS	1	PCS	
39-MCD705-16A100	MCD705 DVD CONTROL BUTTON CENTRE	1	PCS	
39-MCD759-09A101	MCD759 DVD STANDBY KNOB SILVER ABS	1	PCS	
39-MCD705-15B109	MCD705 DVD UNIT DISPLAY LENS ORGANIC	1	PCS	
39-MCD705-04A100	MCD705 DVD DOOR POST-L POM	1	PCS	
39-MCD705-07A100	MCD705 DVD DOOR POST-R POM	1	PCS	
39-MCD705-31A100	MCD705 DOOR DRIVE MOTOR BRACKET ABS	1	PCS	
36000154	BLACK SPONGE 20X10X4 40°	1	PCS	



## Part list

BOM NO.	DESCRIPTION	Q'TY	UNIT	USAGE
36000243	RUBBER FOOT A MCD705 70° GRAY	2	PCS	
36000244	RUBBER FOOT B MCD705 70° GRAY	2	PCS	
36000460	BLACK SPONGE 10X10X6 40°	4	PCS	
36000109	BLACK SPONGE 10X10X5 75°	1	PCS	
36000493	BLACK SPONGE 15X15X5 40°	2	PCS	
36000115	BLACK SPONGE 10X10X8 40°	1	PCS	
36000042	ROD FIBER PAPER WASHER Φ3X8X0.5	1	PCS	
37000960	SCUTCHEON PHILIPS 56X10 ALM	1	PCS	
38000712	SCREW 3 X 6 PM NICKEL-PLATE	6	PCS	
38000064	SCREW 3 X 4 FMTT NICKEL-PLATE	4	PCS	
38000066	SCREW 3 X 5 FMTT BLACK	2	PCS	
38000069	SCREW 3 X 6 FMTT Φ6 BLACK	4	PCS	
38000348	SCREW 2X6PWT Φ7 BLACK	2	PCS	
38000071	SCREW 3 X 6 FMTT Φ6 NICKEL-PLATE	1	PCS	
38000413	SCREW 2.5 X 7 PWMTT BLACK	3	PCS	
38000091	SCREW 2.6 X 5 PWMTT BLACK	7	PCS	
38000075	SCREW 3 X 8 FMTT NICKEL-PLATE	2	PCS	
38000166	SCREW 3 X 10 PWA NICKEL-PLATE	2	PCS	
38000634	SCREW 3 X 8 PWMTT NICKEL-PLATE	2	PCS	
38000238	SCREW 2 X 6 PT NICKEL-PLATE	4	PCS	
38000239	SCREW 2.6 X 5 PT NICKEL-PLATE	4	PCS	
38000240	SCREW 2.6 X 6 PT NICKEL-PLATE	2	PCS	
38000243	SCREW 2.6 X 8 PT NICKEL-PLATE	15	PCS	
38000223	SCREW 3 X 6 BTH NICKEL-PLATE	4	PCS	
38000229	SCREW 3 X 10 PTH NICKEL-PLATE	9	PCS	
38000143	SCREW 3 X 10 FA Φ5.5 NICKEL-PLATE	6	PCS	
38000372	SCREW 3X6 FT Φ6 BLACK	2	PCS	
38000339	SCREW 3X8FT BLACK	2	PCS	
38000216	SCREW 3 X 10 BT NICKEL-PLATE SCREW 2.5	2	PCS	
25000719	30 WIRE 190 2P	3	PCS	
25002119	FLAT FLEXIBLE CABLE 24PX130X0.5XA	1	PCS	
25002170	28WIRE 150 2.5/2PX1	1	PCS	
25001533	26WIRE 150 2.0/3PX1	1	PCS	
25002172	22 SINGLE WIRE 120 2.5/3PX2	1	PCS	
25000588	28 WIRE 180 2.0/5PX1	1	PCS	
25000601	28 WIRE 230 2.0/5PX2	1	PCS	
25000717	28WIRE 60 2.0/6PX2	1	PCS	
25002173	28WIRE 120 2.0/6PX1 2.0/5P 2.0/8P	1	PCS	
25003082	28WIRE 80 2.0/8P 2.0/9P 空一	1	PCS	
25003085	28WIRE+28WIRE 80 2.0/7P 2.0/7P	1	PCS	

## Part list

BOM NO.	DESCRIPTION	Q'TY	UNIT	USAGE
25001893	30WIRE 250 2.0/2PX1	1	PCS	
25002535	28WIRE 60 2.0/3PX2	1	PCS	
25000164	22 SINGLE WIRE 120 BLACK	1	PCS	
09-MCD755-02A101	AMP UNIT PARTS ASS'Y MCD755/93	1	SET	
32000604	POWER PCB ASS'Y DVD AMP POW281 330W	1	PCS	
07-MCD755-11A101	CABINET TOP LAMP PCB ASS'Y MCD755 11-1	1	SET	
13000833	CHIP RESISTOR 680 1/4W J (1206)	2	PCS	R904,905
16000035	LED $\Phi$ 3 3B4SCB01 (BLUE)	2	PCS	LED1104,1103
35-MCD755-11A1	TOP CABINET LAMP PCB 35-MCD755-11A1	1	PCS	
39-MCD705-21A100	MCD705 TOP COVER2 ABS	1	PCS	
07-MCD755-12A101	CABINET TOP LAMP PCB ASS'Y MCD755 12-1	1	SET	
13000833	CHIP RESISTOR 680 1/4W J (1206)	1	PCS	R912
16000035	LED $\Phi$ 3 3B4SCB01 (BLUE)	1	PCS	LED1200
35-MCD755-12A1	TOP CABINET LAMP PCB 35-MCD755-12A1	1	PCS	
07-MCD755-11A201	CABINET TOP LAMP PCB ASS'Y MCD755 11-2	1	SET	
13000833	CHIP RESISTOR 680 1/4W J (1206)	2	PCS	R906,907
16000035	LED $\Phi$ 3 3B4SCB01 (BLUE)	2	PCS	LED1100,1101
35-MCD755-11A2	TOP CABINET LAMP PCB 35-MCD755-11A2	1	PCS	
07-MCD755-12A201	CABINET TOP LAMP PCB ASS'Y MCD755 12-2	1	SET	
13000833	CHIP RESISTOR 680 1/4W J (1206)	1	PCS	R910
16000035	LED $\Phi$ 3 3B4SCB01 (BLUE)	1	PCS	LED1201
35-MCD755-12A2	TOP CABINET LAMP PCB 35-MCD755-12A2	1	PCS	
07-MCD755-10A101	AMP UNIT FRONT LAMP PCB ASS'Y MCD755	1	SET	
13000189	CARBON FILM RESISTOR 1K 1/4W J-52	1	PCS	R1001
16000040	LED 3R41W71W-EB WHITE	1	PCS	LED1001
35-MCD755-10A1	AMP UNIT CAB.FRONT LAMP 35-MCD755-10A1	1	PCS	
07-MCD755-08A101	ROT ENCODER PCB ASS'Y MCD755	1	SET	
30000001	CODER ED-1612-00-F15 40-80G	1	PCS	
35-MCD755-08A1	ENCODER PCB 35-MCD755-08A1	1	PCS	
07-MCD755-09A101	AMP FRONT PCB ASS'Y MCD755	1	SET	
13000382	CARBON FILM RESISTOR 47 1/8W J-52	1	PCS	R901
13000251	CARBON FILM RESISTOR 1.5K 1/8W J-52	1	PCS	R902
14000386	CHIP CAP.104P 50V M (0805) Y5V	1	PCS	C902
14000199	ELECTROLYTIC CAP.100u 16V L-5 5X11	1	PCS	C901
21000001	REMOTE CONTROL SENSOR IR SENSOR SMALL	1	PCS	S1
23000036	LIGHT TOUCH SWITCH 6X6X5 250g	1	PCS	SW901
35-MCD755-09A1	PCB 35-MCD755-09A1 AMP FRONT PANEL	1	PCS	
36001064	BLACK SPONGE 10X10X12 75°	1	PCS	
07-MCD755-02B101	AMP CONNECTION PCB ASS'Y MCD755	1	SET	
13000178	CARBON FILM RESISTOR 100 1/8W J-52	4	PCS	R225,212,215,216

## Part list

BOM NO.	DESCRIPTION	Q'TY	UNIT	USAGE
13000120	CHIP RESISTOR 47 1/16W J (0805)	1	PCS	R020
13000070	CHIP RESISTOR 10K 1/16W J (0805)	4	PCS	R206,217,226,021
13000186	CARBON FILM RESISTOR 1K 1/8W J-52	2	PCS	R213,224
13000077	CHIP RESISTOR 1M 1/16W J (0805)	1	PCS	R201
13000101	CHIP RESISTOR 2.2K 1/16W J (0805)	1	PCS	R203
13000299	CARBON FILM RESISTOR 2.2K 1/4W J-52	2	PCS	R210,214
13000124	CHIP RESISTOR 4.7K 1/16W J (0805)	2	PCS	R218,219
13000087	CHIP RESISTOR 15K 1/16W J (0805)	2	PCS	R222,223
13000127	CHIP RESISTOR 47K 1/16W J (0805)	2	PCS	R220,221
13000518	CARBON FILM RESISTOR 240K 1/8W J-52	1	PCS	R209
13000098	CHIP RESISTOR 220 1/16W J (0805)	1	PCS	R204
13000129	CHIP RESISTOR 560 1/16W J (0805)	1	PCS	R202
13000136	CHIP RESISTOR 6.8K 1/16W J (0805)	1	PCS	R205
13000140	CHIP RESISTOR 8.2K 1/16W J (0805)	2	PCS	R207,208
14000650	ELECTROLYTIC CAP.100u 16V L-5 105°C 6.3X	2	PCS	C221,203
14000375	CHIP CAP.102P 50V K (0805) X7R	1	PCS	C202
14000503	MYLAR CAP.104M 100V K-5	1	PCS	C219
14000578	NONINDUCTIVE CAP.683p 100V K-5	2	PCS	C209,207
14000386	CHIP CAP.104P 50V M (0805) Y5V	2	PCS	C205,212
14000452	NONINDUCTIVE CAP.104J 100V K-5	1	PCS	C215
14001004	ELECTROLYTI CAP.220u 35V L-5 8X11.5	1	PCS	C220
14000265	ELECTROLYTIC CAP.220u 25V M-5 8X11.5	2	PCS	C211,213
14000552	ELECTROLYTIC CAP. 4.7u 50V L L10 5X11	2	PCS	C210,204
14000309	ELECTROLYTIC CAP.4.7u 50V L-5 4X5	1	PCS	C201
14000562	ELECTROLYTIC CAP.470u 16V L-5 8X11.5/12	1	PCS	C214
14000158	MYLAR CAP. 473J 100V K	2	PCS	C208,216
14000515	ELECTROLYTIC CAP.10u 16V M-5 5X11	2	PCS	C218,217
15000210	INDUCTOR 200U 6X5	1	PCS	L201
16000098	ZENER DIODE 6.2V 1W	1	PCS	DZ201
16000018	DIODE 4148-52	2	PCS	D201,203
16000316	DIODE FR104	1	PCS	D202
17000025	TRANSISTOR 8050C-5	1	PCS	Q204
17000005	CHIP TRANSISTOR BC817-25(SOT23)	1	PCS	Q201
17000174	TRANSISTOR SS8050-5 1.5A	2	PCS	Q202,203
11000402	△TRANSFORMER EE13 5V	1	PCS	B201
19000253	IC TL072 SOP	1	PCS	IC201
24000009	SPEAKER TERMINAL 6PZ-1 5.1	1	PCS	SPK210
25000009	PINS CONNECTOR 2.0/2P	2	PCS	CN207,209
25000012	PINS CONNECTOR 2.5/2P	1	PCS	CN201
25000077	PINS CONNECOTR 2.5/34P (BENDING)	1	PCS	CN211

## Part list

BOM NO.	DESCRIPTION	Q'TY	UNIT	USAGE
25000014	PINS CONNECTOR 2.0/3P	2	PCS	CN203,CN208
25000025	PINS CONNECTOR 2.0/4P	2	PCS	CN204,CN205
25000044	PINS CONNECTOR 2.0/7P	1	PCS	CN206
25001243	PINS CONNECTOR 2.5/12P	1	PCS	CN210
35-MCD755-02B1	AMP CONTROL PCB 35-MCD755-02B1	1	PCS	
07-MCD755-01B101	AMP FRONT PCB ASS'Y MCD755	1	SET	
13000063	CHIP RESISTOR 10 1/4W J (1206)	11	PCS	R1327-1335,1337,1338
13000063	CHIP RESISTOR 10 1/4W J (1206)	1	PCS	R1360
13000065	CHIP RESISTOR 100 1/16W J (0805)	1	PCS	R1343
13000530	CHIP RESISTOR 100 1/4W J(1206)	1	PCS	R080
13000067	CHIP RESISTOR 1K 1/16W J (0805)	2	PCS	R1354,1355
13000186	CARBON FILM RESISTOR 1K 1/8W J-52	1	PCS	R081
13000077	CHIP RESISTOR 1M 1/16W J (0805)	1	PCS	R1368
13000101	CHIP RESISTOR 2.2K 1/16W J (0805)	1	PCS	R1353
13000095	CHIP RESISTOR 22 1/16W J (0805)	2	PCS	R1345,R1352
13000096	CHIP RESISTOR 22 1W J (2512)	6	PCS	R1344,1346,1347,1348,1349,1361
13000098	CHIP RESISTOR 220 1/16W J (0805)	1	PCS	R1359
13000070	CHIP RESISTOR 10K 1/16W J (0805)	3	PCS	R1367,8002,8001
13000103	CHIP RESISTOR 22K 1/16W J (0805)	1	PCS	R082
13000124	CHIP RESISTOR 4.7K 1/16W J (0805)	4	PCS	R083,R084,R1342,R1356
13000131	CHIP RESISTOR 5.6K 1/16W J (0805)	15	PCS	R1301-1312,1314-1316
13000136	CHIP RESISTOR 6.8K 1/16W J (0805)	1	PCS	R1369
14000373	CHIP CAP.100P 50V K (0805) X7R	3	PCS	C1493,C1494,C1495
14000208	ELECTROLYTIC CAP. 100u 25V L-5 6.3X11	1	PCS	C1496
14000375	CHIP CAP.102P 50V K (0805) X7R	30	PCS	C1301-1322,1328-1334,1326
14000639	CHIP CAP.102P 100V K (1206) X7R	6	PCS	C1426-1429,1431,1432
14000384	CHIP CAP.104P 50V K (0805) X7R	26	PCS	C1368,1369,1371,1373-1375,1377,1379-1387,1389-1391,1394-1396,1398
14000384	CHIP CAP.104P 50V K (0805) X7R	11	PCS	C1408-1412,1414,1422-1425,1483
14000636	CHIP CAP.104P 50V M (1206) Y5V	6	PCS	C1372,1378,1392,1393,1406,1413
14000450	NONINDUCTIVE CAP.104J 100V K	6	PCS	C1434-1437,1439,1440
14000396	CHIP CAP.153P 50V M (0805) Y5V	6	PCS	C1442-1447
14000586	CHIP CAP.220P 50V K (1206) X7R	3	PCS	C1475,1478,1480
14000405	CHIP CAP.220P 50V K (0805) X7R	18	PCS	C1353-1367,1476,1477,1490
14000418	CHIP CAP.33P 50V J (0805) NPO	1	PCS	C1497
14000332	ELECTROLYTIC CAP.47u 25V L-5 5X11	2	PCS	C080,1455
14000663	ELECTROLYTIC CAP.470u 35V L 105°C 10X16	6	PCS	C1464-1469
14000438	CHIP CAP.474P 50V M (0805) Y5V	12	PCS	C1340-1346,1348-1352
14000336	ELECTROLYTIC CAP.47u 35V L-5 5X11	6	PCS	C1456-1461
14000342	ELECTROLYTIC CAP.47u 63V L-5 6.3X11	3	PCS	C1472,1471,1473
14000511	NONINDUCTIVE CAP.684J 100VJ-5	1	PCS	C1347

## Part list

BOM NO.	DESCRIPTION	Q'TY	UNIT	USAGE
14000239	ELECTROLYTIC CAP.22u16V L-5 105°C 5X11	1	PCS	C8001
14000574	NONINDUCTIVE CAP.334J 100V K L	5	PCS	C1450-1453,1487
15000005	AXAIL FIXED INDUCTOR 10u 52	1	PCS	L1315
33000017	FERRITE BEAD JRHW0349 BLUE	6	PCS	I1307-1312
15000014	FIXED INDUCTOR 22u	1	PCS	L1316
15000031	FIXED INDUCTOR 47u	5	PCS	L1301-1304,1317
25001243	PINS CONNECTOR 2.5/12P	1	PCS	CN087
25000012	PINS CONNECTOR 2.5/2P	2	PCS	CN1305,090
25000014	PINS CONNECTOR 2.0/3P	1	PCS	CN099
25000020	PINS CONNECTOR 3.96/3P	1	PCS	CN098
25000025	PINS CONNECTOR 2.0/4P	1	PCS	CN1304
25000044	PINS CONNECTOR 2.0/7P	1	PCS	CN1303
16000018	DIODE 4148-52	1	PCS	D081
16000070	ZENER DIODE 5.6V 1/2W-52	2	PCS	DZ1301,1302
17000004	CHIP TRANSISTOR 8050(SOT-23)	1	PCS	Q081
17000030	TRANSISTOR 8550C-5	1	PCS	Q080
17000005	CHIP TRANSISTOR BC817-25(SOT23)	3	PCS	Q1301,1302,8001
19000170	IC HEF4013T	1	PCS	IC1306
19000117	CHIP IC 74HCU04D	1	PCS	IC1305
19000120	IC TDA8920BTH	1	PCS	IC1304
19000121	CHIP IC TDA8922BTH	2	PCS	IC1301,1302
20000006	CERAMIC FILTER 700KHz 2P(SMALL)	1	PCS	XT1302
35-MCD755-01B1	AMP PCB 35-MCD755-01B1	1	PCS	
37-MCD755-01A100	HEAT SINK MCD755 100X58.6X30	1	PCS	
36001183	MICA INSULATION SHEET 15.5X11	3	PCS	
39000715	CORDH=3.5	6	PCS	
38000231	SCREW 3 X 12 BTH NICKEL-PLATE	6	PCS	
08-MCD755-02A101	AMP CASING PARTS ASS'Y MCD755/93	1	SET	
37-MCD759-16A100	MCD755 AMP METAL	1	PCS	
37-MCD759-02A106	MCD705 AMP SIDE PLATE(L) ALUMINIUM	1	PCS	
37-MCD759-03A101	MCD759 SIDE PLATE ALUMINIUM (R)	1	PCS	
37-MCD705-08A100	MCD705 RIG OUT METAL PLATE ALUMINIUM	1	PCS	
39-MCD705-33A100	MCD705 AMP CABINET FRONT ABS	1	PCS	
39-MCD705-20A100	MCD705 TOP COVER1 PC	1	PCS	
39-MCD705-35A101	MCD705 AMP TOP COVER ABS	1	PCS	
39-MCD759-19A101	MCD755 AMP CABINET BACK (5.1CH)ABS	1	PCS	
39-MCD705-19A100	MCD705 AMP CABINET BOTTOM HIPS	1	PCS	
39-MCD759-10A100	MCD759 AMP SOURCE KNOB BRACKET ABS	1	PCS	
39-MCD705-18A100	MCD705 TOP LIGHT LENS PMMA	1	PCS	
39-MCD705-09B109	MCD705 AMP UNIT DISPLAY LENS ORGANIC	1	PCS	

## Part list

BOM NO.	DESCRIPTION	Q'TY	UNIT	USAGE
39-MCD705-17A100	MCD705 LOGO LIGHT GUIDE PMMA	1	PCS	
39-MCD759-11A101	MCD759 AMP SOURCE KNOB SILVER ABS	1	PCS	
39-MCD705-10A101	MCD705 AMP VOLUME KNOB SILVER ABS	1	PCS	
36000244	RUBBER FOOT B MCD705 70° GRAY	4	PCS	
36000363	WIRE TIC 70	4	PCS	
36001153	PVC SHEET 142X116X0.25	1	PCS	
38000041	SCREW 3 X 10 FM NICKEL-PLATE Φ6	2	PCS	
38000320	OUTSIDE HEXAGON GALVANIZED M3 NICKEL-PL	2	PCS	
38000069	SCREW 3 X 6 FMTT Φ6 BLACK	3	PCS	
38000050	SCREW 3 X 5 BM NICKEL-PLATE	8	PCS	
38000091	SCREW 2.6 X 5 PWMTT BLACK	8	PCS	
38000239	SCREW 2.6 X 5 PT NICKEL-PLATE	6	PCS	
38000240	SCREW 2.6 X 6 PT NICKEL-PLATE	2	PCS	
38000243	SCREW 2.6 X 8 PT NICKEL-PLATE	13	PCS	
38000368	SCREW 3X6 PT NICKEL-PLATE	4	PCS	
38000229	SCREW 3 X 10 PTH NICKEL-PLATE	6	PCS	
38000267	SCREW 3 X 10 FTΦ6 NICKEL-PLATE	1	PCS	
38000068	SCREW 3 X 5 FMTT NICKEL-PLATE	4	PCS	
38000066	SCREW 3 X 5 FMTT BLACK	1	PCS	
38000069	SCREW 3 X 6 FMTT Φ6 BLACK	3	PCS	
38000417	SCREW 3X12FA NICKEL-PLATE	4	PCS	
38000536	SCREW 3 X 15 PT NICKEL-PLATE	4	PCS	
24000039	△AC SOCKET 2.5A/250V(2120-FSI)PH VDE/CCC	1	PCS	
34000144	MINI FAN RDM4010S 12V/0.07A	1	PCS	
25003166	26 WIRE 420 2.0/3PX1 2.0/3P	1	PCS	
25003165	28WIRE 310 2.0/4PX1 2.0/4P	1	PCS	
25002977	28WIRE 270 2.0/2PX1 2.0/2PX1	1	PCS	
25002979	18 SINGLE WIRE 180 3.96/3PX2	1	PCS	
25003128	20WIRE 150 2.5/12PX2	1	PCS	
25000536	28WIRE 100 2P	1	PCS	
25001893	30WIRE 250 2.0/2PX1	1	PCS	
25000719	30 WIRE 190 2P	3	PCS	
25002521	26WIRE 150 2.0/3PX2	1	PCS	
25003087	20WIRE 100 170 2.5/2P/3P 2.5/2P	1	PCS	
25003090	20 SINGLE WIRE 70 2.5/5PX1 2.5/5PX1	1	PCS	
25002983	20 SINGLE WIRE 180 2.0/4PX2	1	PCS	
25002984	28WIRE+28WIRE 150 2.0/7PX2	1	PCS	
26000263	△AC LINE CORD 200 VH-03X1 DY-1756 UL	1	PCS	
09-MCD755-03A101	ACCESSORY PARTS ASS'Y MCD755/93	1	SET	
25001949	SINGLE WIRE 1.5m FM ANT	1	PCS	

## Part list

BOM NO.	DESCRIPTION	Q'TY	UNIT	USAGE
25000919	WIRE 350 2.5/34P	1	PCS	
25001654	22 SINGLE WIRE 100 BLACK	1	PCS	
26000014	△AC LINE CORD 1.8M CCC	1	PCS	
27000227	HDMI CABLE 1.5M EM-HDMI0006A	1	PCS	
27000055	VIDEO FEEDER CABLE 1.5m 3P RED WHI. YEL.	1	PCS	
34000005	AAA BATTERY 1.5V PHILIPS	2	PCS	
41005409	I.M MCD755/93	1	PCS	
41005410	QUICK START GUIDEMCD755/93 ENGLISH	1	PCS	
41000912	WARRANTY CARD PH ENGLISH/CHINESE 208X29	1	PCS	
41002186	WARRANTY CARD PH 996500033498	1	PCS	
41003424	PH WARRANTY CARD PH 3141 075 21791	1	PCS	
36000686	DRESS PH 210	1	PCS	
41004622	QUICK START GUIDE MCD759/93 CHINA	1	PCS	
41000612	PHILIPS LOCAL SALES QC PASS 35X46	1	PCS	
41002444	ACCESSORY AGENT BLANK BOX 306X217X57	1	PCS	
41004374	LARGESS BOX 170X150X30	1	PCS	
09-MCD755-04A101	PACKING PARTS ASS'Y MCD755/93	1	SET	
41000183	PE POLYBAG 26X7cm	1	PCS	
41000177	PE POLYBAG 20X7cm	2	PCS	
41001013	PE POLYBAG 24X7cm	1	PCS	
41001014	PE POLYBAG 26X17cm	2	PCS	
41001041	TISSUE BLOW MOLDING 33X32cm	2	PCS	
41005411	GIFT BOX MCD755/93	1	PCS	
41005412	CARTON BOX MCD755/93	1	PCS	
41005419	POLYFOAM MCD755	1	PCS	
41005413	GIFT BOX LABEL MCD755/93 91X111	1	PCS	
41005414	AMP UNIT LABEL MCD755/93 59.5X44.5	1	PCS	
41005415	DVD UNIT LABEL MCD755/93	1	PCS	
41005416	WARRANTY CRAD MODEL LABEL MCD755/93	1	PCS	
41000489	Q.C PASSED LABEL Φ13	1	PCS	
41000625	Dolby LABEL PH 59.5X13	1	PCS	
41000626	DTS LABEL PH 59.5X25	1	PCS	
41003711	DESIGNED PH 43X11	1	PCS	
41001299	DVD REGION CODE LABEL V93	1	PCS	
41002050	CARTON SERIAL NO. LABEL PHILIPS/93 82X32	1	PCS	
41000673	LASER WARNING LABEL PH Φ15 BLACK	1	PCS	
41001219	DIVX LABEL 52X12	1	PCS	
41000650	CCC S&E LABEL	2	PCS	
41003881	PAPER 150X90X5	1	PCS	
41005417	POS BILLBOARD MCD755/93	1	PCS	

## Part list

BOM NO.	DESCRIPTION	Q'TY	UNIT	USAGE
09-MCD705-03A101	BRACKET ASS'Y PH MCD705 232X220.5X6	1	SET	
36000419	PERSPEX 232X220.5X6 MCD705	1	PCS	
36000511	RUBBER FOOT $\Phi$ 4X7.8 MCD705	4	PCS	
38000358	SCREW 5.8X16FA NICKEL-PLATE	4	PCS	
39-MCD705-22A101	MCD705 BRACKET FOOT SILVER ABS	4	PCS	
39-MCD705-23A101	MCD705 BRACKET FOOT COVER SILVER ABS	4	PCS	
41000198	PE POLYBAG 30X25cm	1	PCS	
09-MCD755-05A101	SPEAKER BOX ASS'Y MCD755/93	1	SET	
08-MCD755-03A101	FRONT SPEAKER BOX ASS'Y(L) MCD755/93	1	SET	
37-MCD713-05A101	MCD713 SPEAKER BRACKET SILVER	1	PCS	
39-DCD713-01A100	DCD713 CENTER SPEAKER BOX PANEL HIPS	1	PCS	
39-DCD713-02A101	DCD713 BACK SPEAKER BOX PANEL HIPS	1	PCS	
39-PS11-07A101	PS-11 PEDESTAL DOWN COVER	1	PCS	
39-PS11-09A101	PS-11 EDESTAL ABOVE COVER ABS SILVER	1	PCS	
39-DCD713-04A101	DCD713 DECORATE BAR HIPS	1	PCS	
39-NE2200-26A200	NE2200 SPEAKER BOX PCN CK8842	1	PCS	
36001034	RUBBER FOOT 41.5X10.3X3	4	PCS	
36001216	PVC SHEET 27.8X23.8X1.0 BLACK	2	PCS	
38000193	SCREW 3 X 10 BA NICKEL-PLATE	20	PCS	
38000855	SCREW 3 X 6 PWT $\Phi$ 10 NICKEL-PLATE	4	PCS	
38000866	SCREW 4 X 25 BM NICKEL-PLATE	1	PCS	
38000770	SCREW 4 X 10 PWM $\Phi$ 10 BLACK	4	PCS	
25000953	22 CONNECT WIRE 2P 220 RED BLACK	1	PCS	
27000410	SPEAKER WIRE 6.2M	1	PCS	
28000560	SPEAKER 3"4 $\Omega$ 25W	2	PCS	
41003877	TISSUE BLOW MOLDING 35X23CM	1	PCS	
41005589	MAIN SPEAKER BOX LABEL (L) MCD755/93	1	PCS	
08-MCD755-04A101	FRONT SPEAKER ASS'Y(R) MCD755/93	1	SET	
37-MCD713-05A101	MCD713 SPEAKER BRACKET SILVER	1	PCS	
39-DCD713-01A100	DCD713 CENTER SPEAKER BOX PANEL HIPS	1	PCS	
39-DCD713-02A101	DCD713 BACK SPEAKER BOX PANEL HIPS	1	PCS	
39-PS11-07A101	PS-11 PEDESTAL DOWN COVER	1	PCS	
39-PS11-09A101	PS-11 EDESTAL ABOVE COVER ABS SILVER	1	PCS	
39-DCD713-04A101	DCD713 DECORATE BAR HIPS	1	PCS	
39-NE2200-26A600	NE2200 SPEAKER BOX PCN CK8841	1	PCS	
36001034	RUBBER FOOT 41.5X10.3X3	4	PCS	
36001216	PVC SHEET 27.8X23.8X1.0 BLACK	2	PCS	
38000193	SCREW 3 X 10 BA NICKEL-PLATE	20	PCS	
38000855	SCREW 3 X 6 PWT $\Phi$ 10 NICKEL-PLATE	4	PCS	
38000866	SCREW 4 X 25 BM NICKEL-PLATE	1	PCS	



## Part list

BOM NO.	DESCRIPTION	Q'TY	UNIT	USAGE
38000770	SCREW 4 X 10 PWM Φ10 BLACK	4	PCS	
25000953	22 CONNECT WIRE 2P 220 RED BLACK	1	PCS	
27000409	SPEAKER WIRE 6.2M	1	PCS	
28000560	SPEAKER 3"4Ω25W	2	PCS	
41003877	TISSUE BLOW MOLDING 35X23CM	1	PCS	
41005602	MAIN SPEAKER BOX LABEL (R) MCD755/93	1	PCS	
08-MCD755-05A101	CENTER SPEAKER BOX ASS'Y MCD755/93	1	SET	
37-MCD713-02A101	MCD713 SPEAKER BRACKET SILVER	1	PCS	
39-DCD713-07A100	DCD713 CENTER SPEAKER BOX PANEL HIPS	1	PCS	
39-DCD713-08A101	DCD713 SPEAKER BACK CABINET HIPS SILVER	1	PCS	
39-DCD713-03A101	DCD713 SPEAKER BOX BRACKET FRONT PCB	1	PCS	
39-NE2200-26A700	NE2200 SPEAKER BOX PCN CK8843	1	PCS	
36001014	RUBBER FOOT Φ12X7.7 60° BLACK	4	PCS	
36001216	PVC SHEET 27.8X23.8X1.0 BLACK	2	PCS	
38000193	SCREW 3 X 10 BA NICKEL-PLATE	20	PCS	
38000855	SCREW 3 X 6 PWT Φ10 NICKEL-PLATE	4	PCS	
38000866	SCREW 4 X 25 BM NICKEL-PLATE	1	PCS	
25000953	22 CONNECT WIRE 2P 220 RED BLACK	1	PCS	
27000228	SPEAKER CORDS 5M	1	PCS	
28000560	SPEAKER 3"4Ω25W	2	PCS	
41003877	TISSUE BLOW MOLDING 35X23CM	1	PCS	
41005607	CENTER SPEAKER LABEL MCD755/93	1	PCS	
08-MCD755-06A101	ENCIRCIE SPEAKER BOX ASS'Y(L) MCD755/93	1	SET	
37-MCD713-05A101	MCD713 SPEAKER BRACKET SILVER	1	PCS	
39-DCD713-01A100	DCD713 CENTER SPEAKER BOX PANEL HIPS	1	PCS	
39-DCD713-02A101	DCD713 BACK SPEAKER BOX PANEL HIPS	1	PCS	
39-PS11-07A101	PS-11 PEDESTAL DOWN COVER	1	PCS	
39-PS11-09A101	PS-11 EDESTAL ABOVE COVER ABS SILVER	1	PCS	
39-DCD713-04A101	DCD713 DECORATE BAR HIPS	1	PCS	
39-NE2200-26A400	NE2200 SPEAKER BOX PCN CK8845	1	PCS	
36001034	RUBBER FOOT 41.5X10.3X3	4	PCS	
36001216	PVC SHEET 27.8X23.8X1.0 BLACK	2	PCS	
38000193	SCREW 3 X 10 BA NICKEL-PLATE	20	PCS	
38000855	SCREW 3 X 6 PWT Φ10 NICKEL-PLATE	4	PCS	
38000866	SCREW 4 X 25 BM NICKEL-PLATE	1	PCS	
38000770	SCREW 4 X 10 PWM Φ10 BLACK	4	PCS	
25000953	22 CONNECT WIRE 2P 220 RED BLACK	1	PCS	
27000408	SPEAKER CORDS 16.2M	1	PCS	
28000561	WOOFER SPEAKER 3"4Ω25WΦ55	2	PCS	
41003877	TISSUE BLOW MOLDING 35X23CM	1	PCS	

## Part list

BOM NO.	DESCRIPTION	Q'TY	UNIT	USAGE
41005604	ENCIRCIE SPEAKER LABEL(L) MCD755/93	1	PCS	
08-MCD755-07A101	ENCIRCIE SPEAKER BOX(R) ASS'Y MCD755/93	1	SET	
37-MCD713-05A101	MCD713 SPEAKER BRACKET SILVER	1	PCS	
39-DCD713-01A100	DCD713 CENTER SPEAKER BOX PANEL HIPS	1	PCS	
39-DCD713-02A101	DCD713 BACK SPEAKER BOX PANEL HIPS	1	PCS	
39-PS11-07A101	PS-11 PEDESTAL DOWN COVER	1	PCS	
39-PS11-09A101	PS-11 EDESTAL ABOVE COVER ABS SILVER	1	PCS	
39-DCD713-04A101	DCD713 DECORATE BAR HIPS	1	PCS	
39-NE2200-26A500	NE2200 SPEAKER BOX PCN CK8840	1	PCS	
36001034	RUBBER FOOT 41.5X10.3X3	4	PCS	
36001216	PVC SHEET 27.8X23.8X1.0 BLACK	2	PCS	
38000193	SCREW 3 X 10 BA NICKEL-PLATE	20	PCS	
38000855	SCREW 3 X 6 PWT Φ10 NICKEL-PLATE	4	PCS	
38000866	SCREW 4 X 25 BM NICKEL-PLATE	1	PCS	
38000770	SCREW 4 X 10 PWM Φ10 BLACK	4	PCS	
25000953	22 CONNECT WIRE 2P 220 RED BLACK	1	PCS	
27000407	SPEAKER CORDS 16.2M	1	PCS	
28000561	WOOFER SPEAKER 3"4Ω25WΦ55	2	PCS	
41003877	TISSUE BLOW MOLDING 35X23CM	1	PCS	
41005605	ENCIRCIE SPEAKER LABEL(R) MCD755/93	1	PCS	
09-MCD755-06A101	WOOFER SPEAKER BOX ASS'Y MCD755/93	1	SET	
39-DCD713-05A101	DCD713 WOOFER TOP PANEL HIPS BLACK	1	PCS	
39-DCD713-06A101	DCD713 WOOFER SPEAKER BOX FOOT HIPS	2	PCS	
39-NE2200-26A300	NE2200 SPEAKER BOX PCN CK8844	1	PCS	
28000562	SPEAKER 6 1/2"4Ω100W	1	PCS	
39000346	PORT TUBE DJ-213 MCD703 SUB-WOOFER	1	PCS	
39000474	PORT TUBE DJ-213 Φ71X52X48 SILVER	1	PCS	
40000432	WOODEN BOX MCD713 330X200X186	1	PCS	
41002194	PAPER Φ57.5XΦ52.5X110 MCD703 SUB-WOOFER	1	PCS	
41002195	PAPER Φ52.5XΦ49.5X60 MCD703 SUB-WOOFER	1	PCS	
38000208	SCREW 4 X 16 BA BLACK	8	PCS	
38000196	SCREW 3 X 12 BA NICKEL-PLATE	6	PCS	
36001223	RUBBER FOOT 10X10X3.5 BLACK 70°	4	PCS	
27000411	SPEAKER CORDS 5M	1	PCS	
41005007	TISSUE BLOW MOLDING 53X27cm	1	PCS	
41005418	WOOFER SPEAKER BOX BACK LABEL MCD755/9	1	PCS	
09-PRC502-04A101	REMOTE CONTROL ASS'Y PRC502-04 FOR755	1	SET	
13000665	CHIP RESISTOR 2.2 1/16W J(0805)	1	PCS	R3
14000315	ELECTROLYTIC CAP.47u 10V L 4X7	1	PCS	C1
13000135	CHIP RESISTOR 680 1/16W J (0805)	1	PCS	R1

## Part list

BOM NO.	DESCRIPTION	Q'TY	UNIT	USAGE
16000255	INFRARED-EMITTING DIODE $\Phi$ 5 1L0534F13A0TC	1	PCS	D1
17000005	CHIP TRANSISTOR BC817-25(SOT23)	1	PCS	Q2
19000294	IC TM58PR11S18C	1	PCS	U1
35-PRC502-01A1	REMOTE CONTROL PCB PRC502 195X38	1	PCS	
39-PRC502-01A101	PRC502 REMOTE CONTROL CABINET TOP	1	PCS	
39-PRC502-02A100	PRC502 REMOTE CONTROL CABINET BACK	1	PCS	
39-PRC502-03A100	PRC502 REMOTE BATTERY COVER	1	PCS	
39-PRC502-04A101	PRC502 REMOTE DECORATIVE LOOP SILVER	1	PCS	
39-PRC502-05A100	PRC502 REMOTE FRONT LENS	1	PCS	
37000800	IRON BLOCK 35X26.6X5	1	PCS	
37-PRC502-01A100	PRC502 REMOTE SPRING WIRE 3 in 1	1	SET	
36001212	CONDUCTIVE RUBBER PRC502-04	1	PCS	
36000492	BLACK SPONGE 12X6X5 40°	2	PCS	
41000183	PE POLYBAG 26X7cm	1	PCS	
41005801	REMOTE CONTROL LABEL PRC502-04 35X7.5	1	PCS	
45-PRC502-01B	PRC502-01 BSOFTWARE(V1.1)	1	PCS	
41003940	REMOTE CONTROL LABEL PH 38X18	1	PCS	